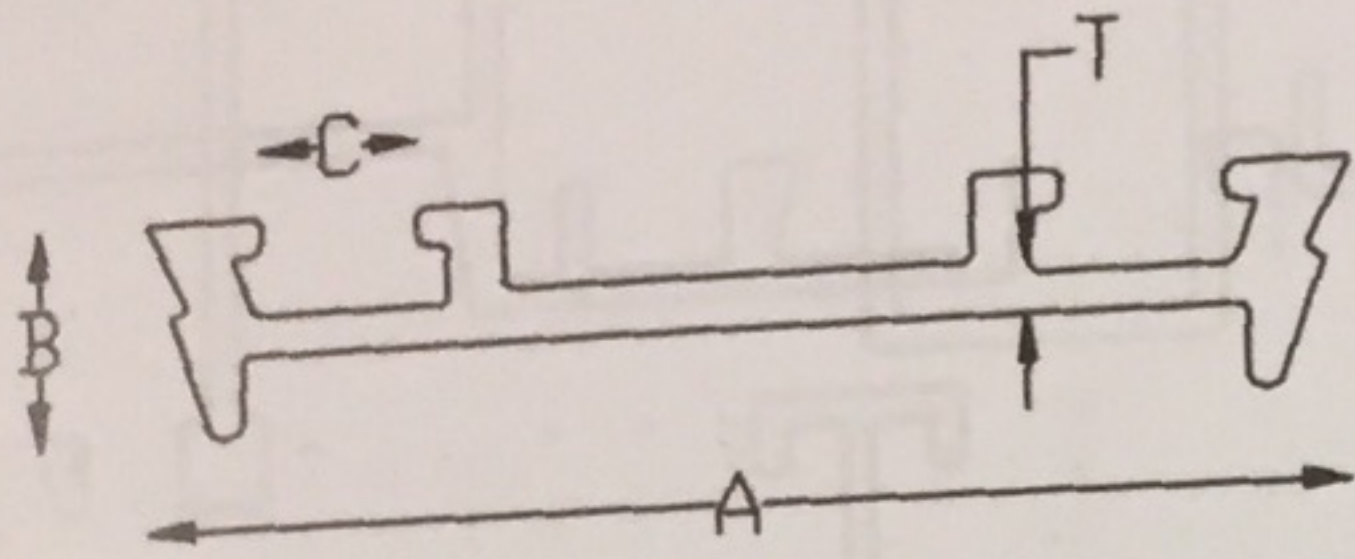
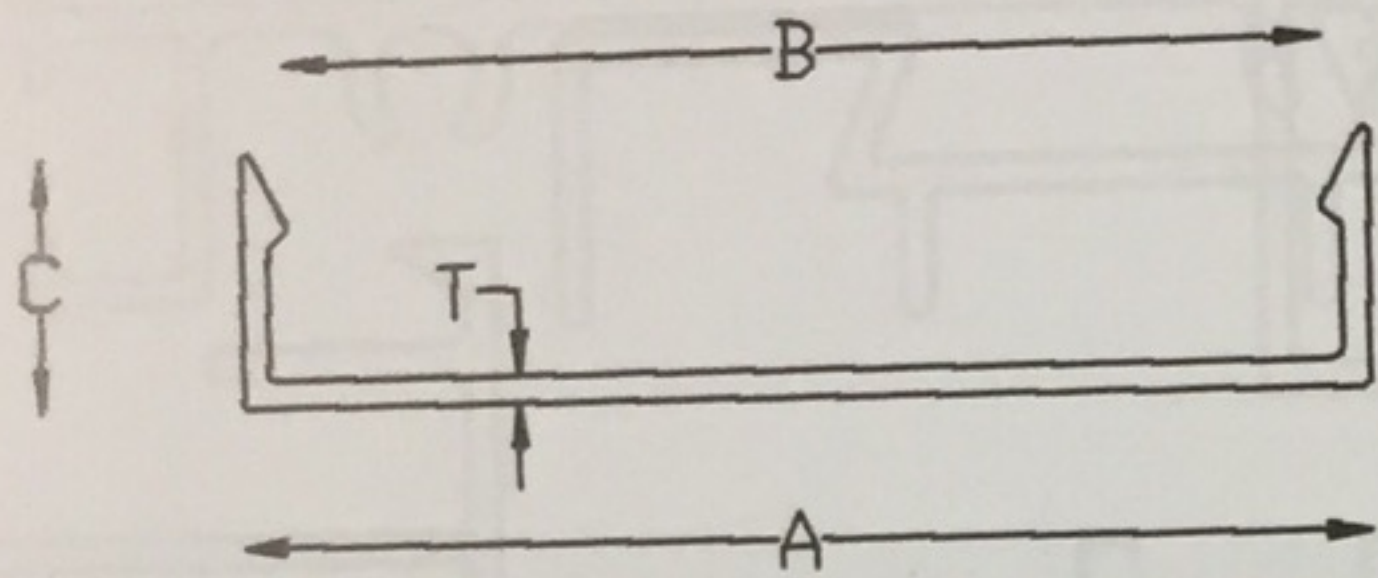


PRESSURE PLATE



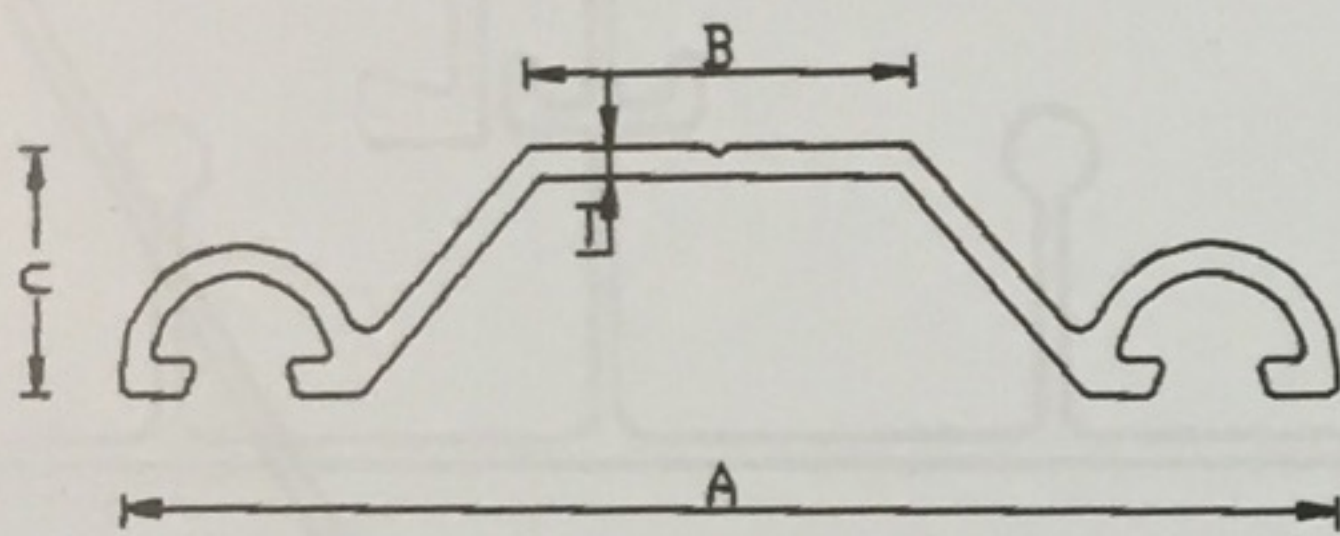
SE. No.	A	B	C	T	WT RANGE /12"	
55252	53.43	9.50	7.15	2.20	1.650	1.900

COVER PLATE



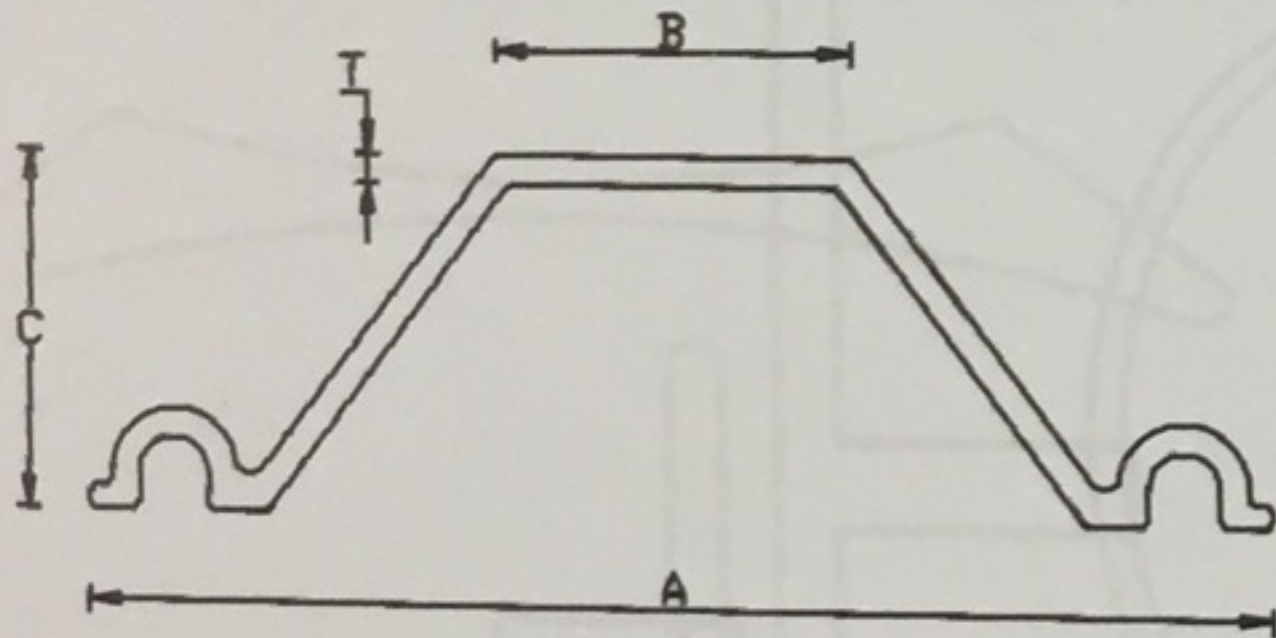
SE. No.	A	B	C	T	WT RANGE /12"	
55256	55.00	50.50	12.00	1.30	1.000	1.100

DOM TOP 50MM



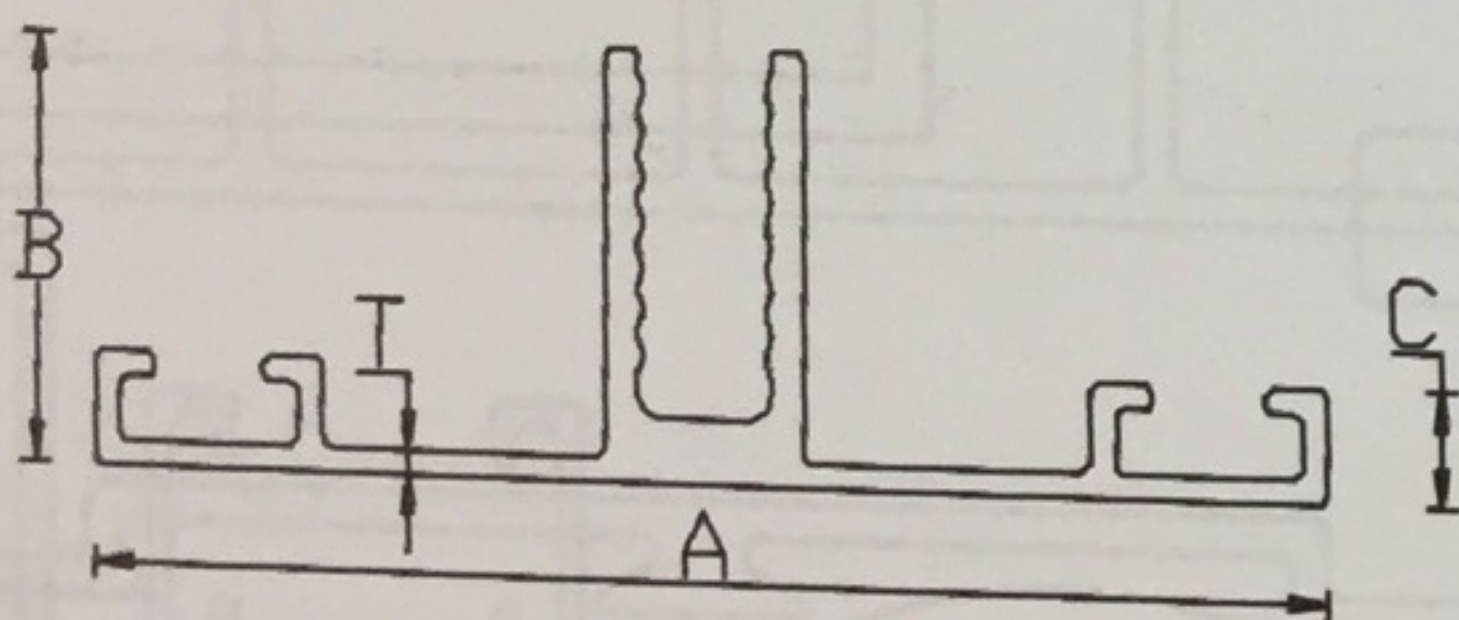
SE. No.	A	B	C	T	WT RANGE /15"	
55001	49.85	15.80	9.90	1.10	1.150	1.300
55002	49.85	15.80	9.90	1.50	1.600	1.900

DOM TOP 60MM



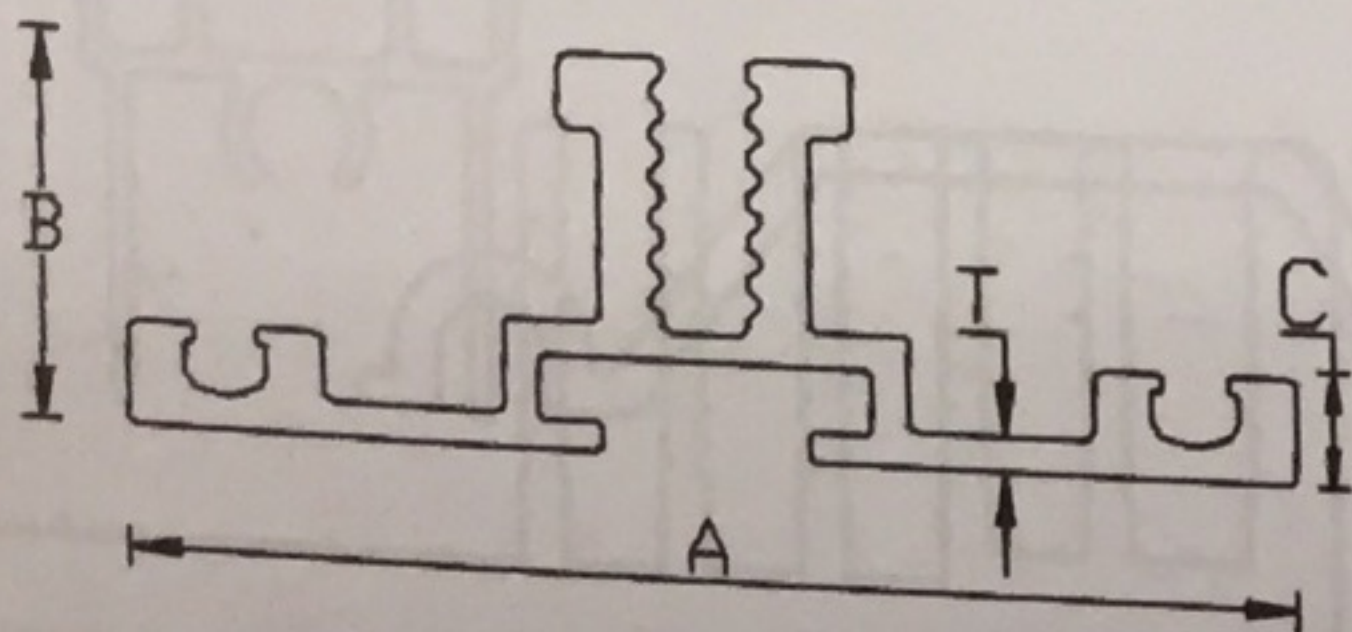
SE. No.	A	B	C	T	WT RANGE /15"	
55011	59.85	17.90	17.80	1.40	1.500	1.800
55012	59.85	17.90	17.80	2.60	2.800	3.200

DOM BOTTOM 50MM



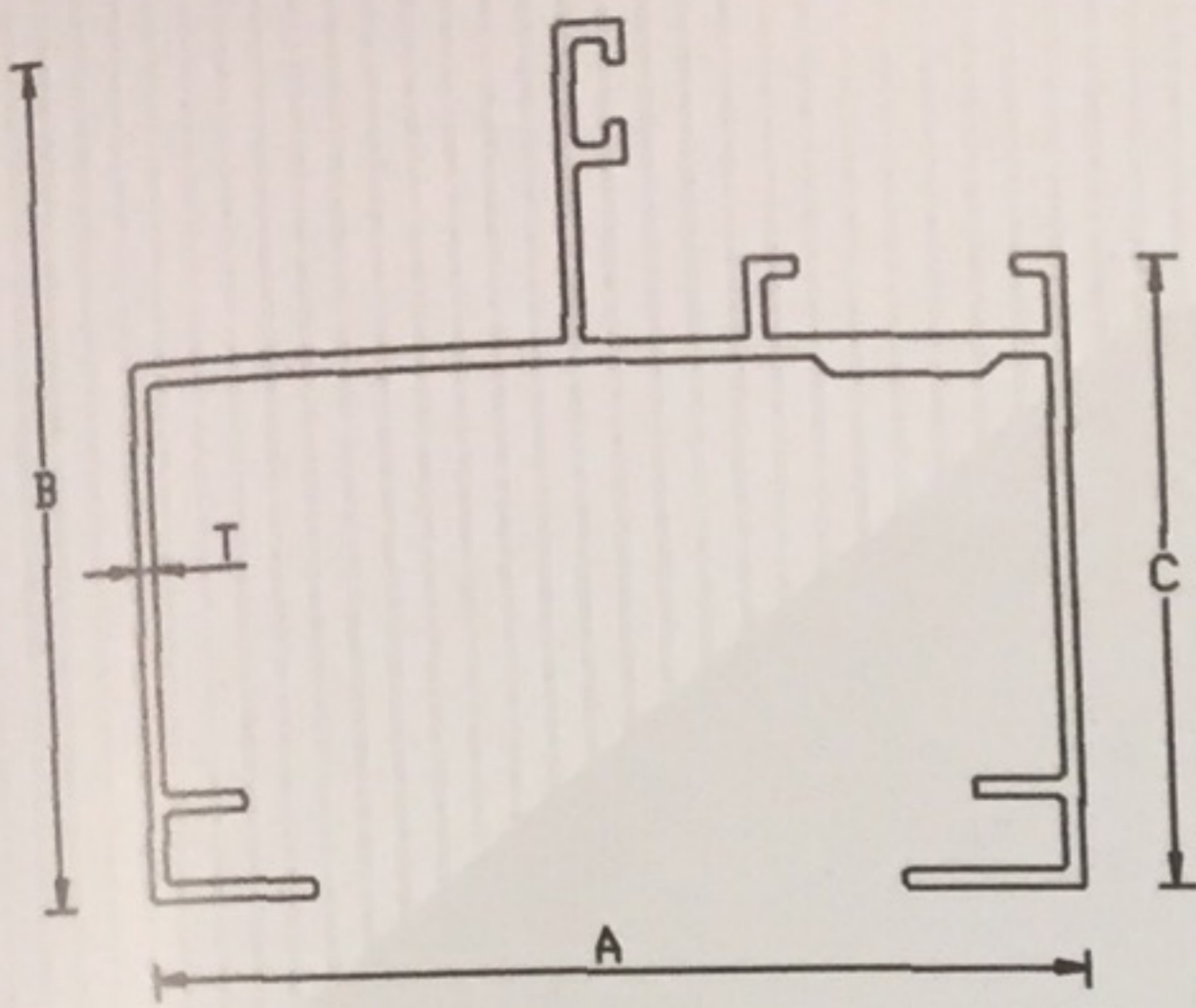
SE. No.	A	B	C	T	WT RANGE /15"	
55006	49.85	15.80	4.50	1.00	1.500	1.800
55007	49.85	15.80	4.50	1.50	2.300	3.200

DOM BOTTOM 60MM

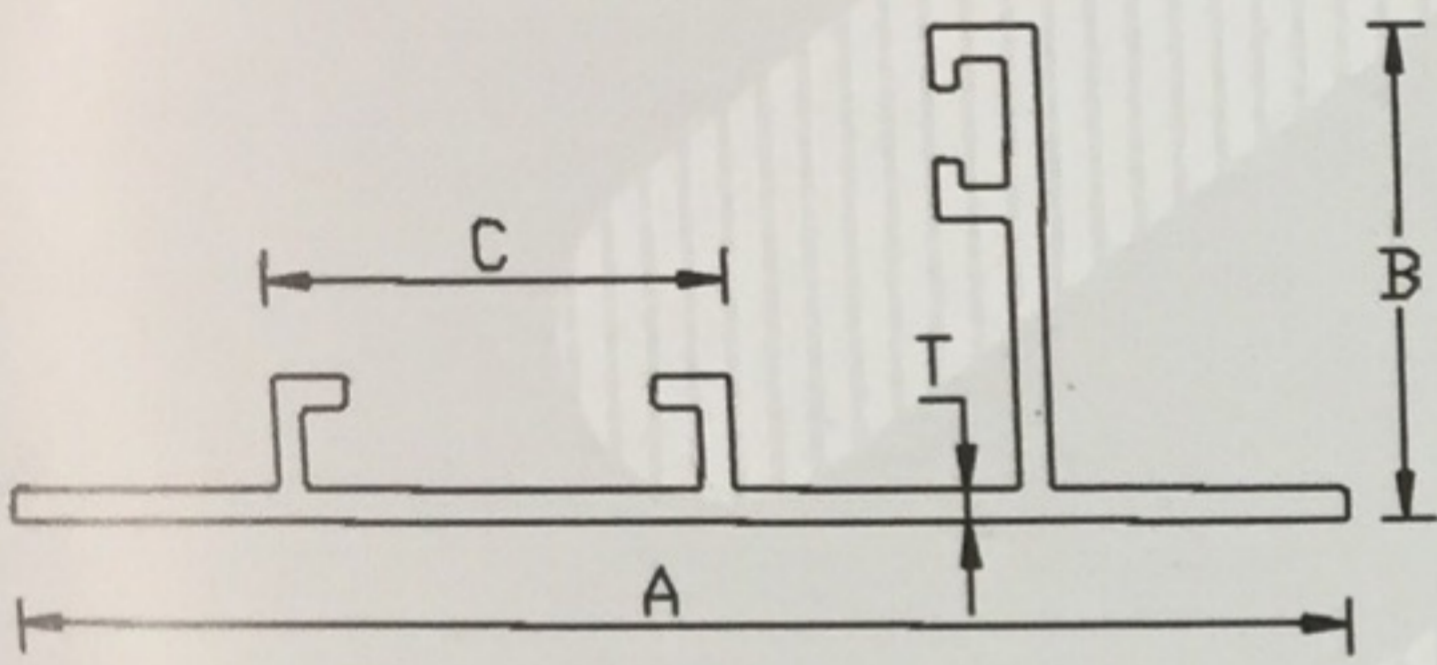


SE. No.	A	B	C	T	WT RANGE /15"	
55016	59.65	19.85	5.20	1.80	3.300	3.600
55017	59.65	19.85	5.20	2.30	4.200	4.600

FRAME SECTION

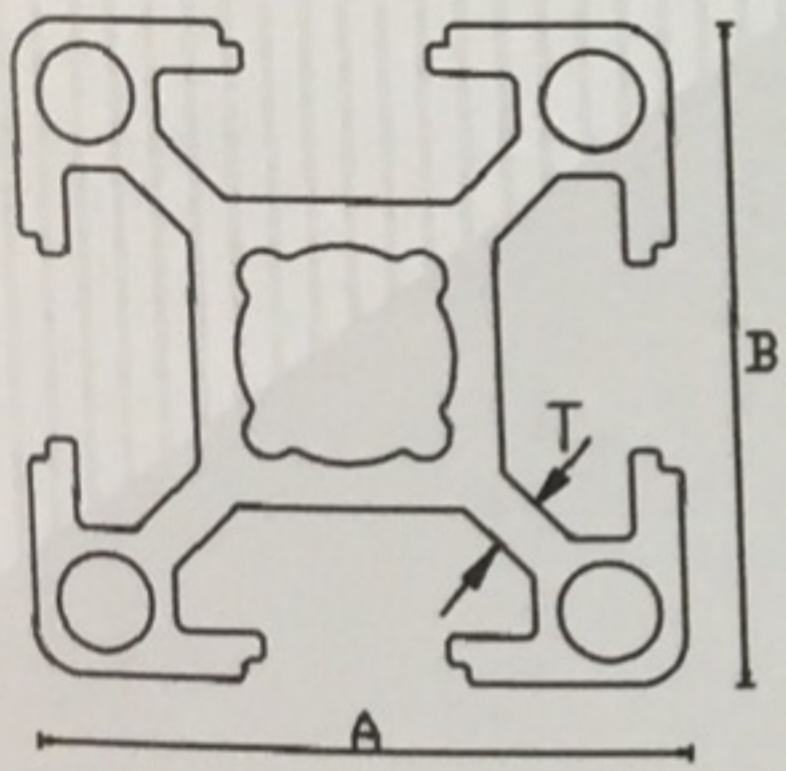


SE. No.	A	B	C	T	WT RANGE /12FT	
53754	63.00	54.50	39.50	1.20	2.550	2.800

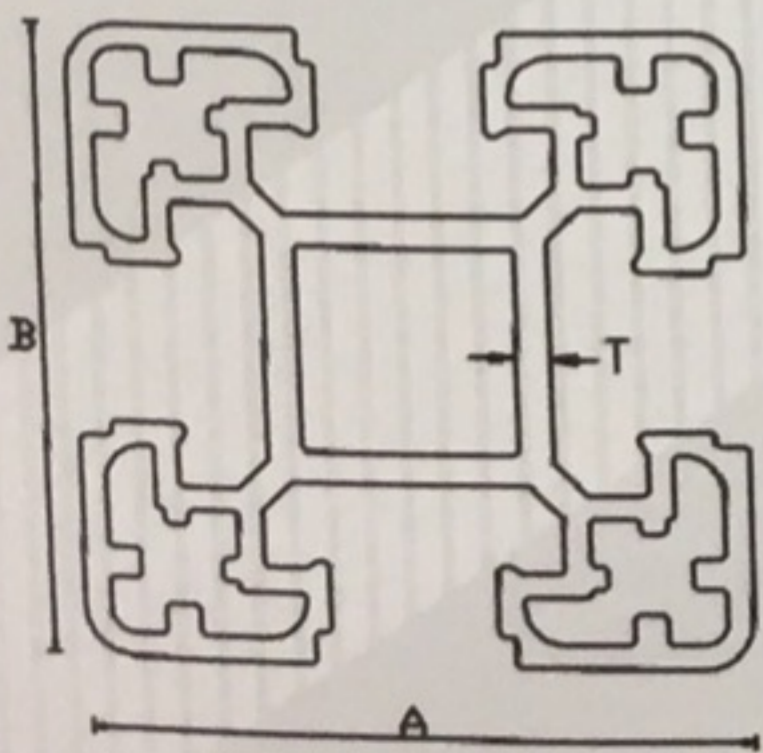


SE. No.	A	B	C	T	WT RANGE /12FT	
53759	61.00	21.55	21.00	1.40	1.450	1.600

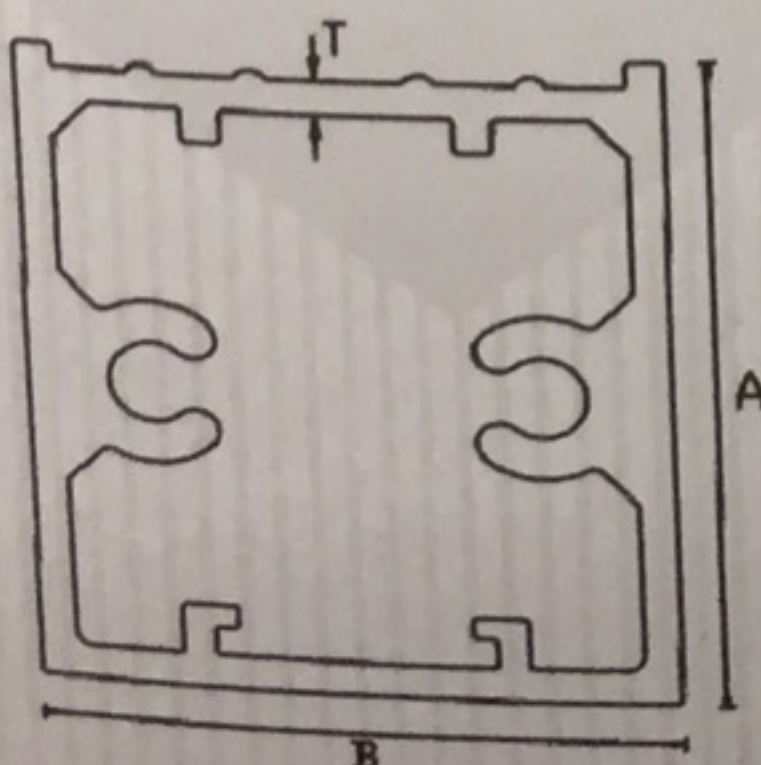
CONVEYOR SECTION



SE. No.	A	B	T	WT RANGE /12FT	
58211	30.00	30.00	2.50	3.100	3.300



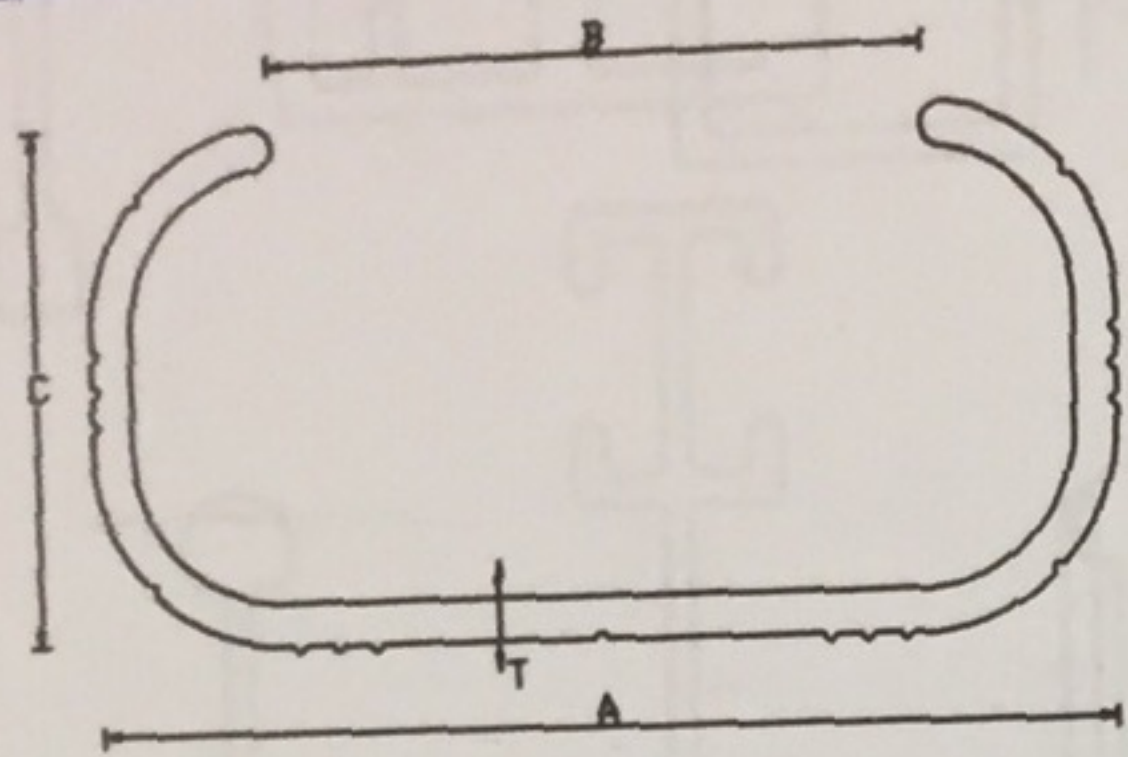
SE. No.	A	B	T	WT RANGE /12FT	
58213	40.00	40.00	2.00	4.900	5.500



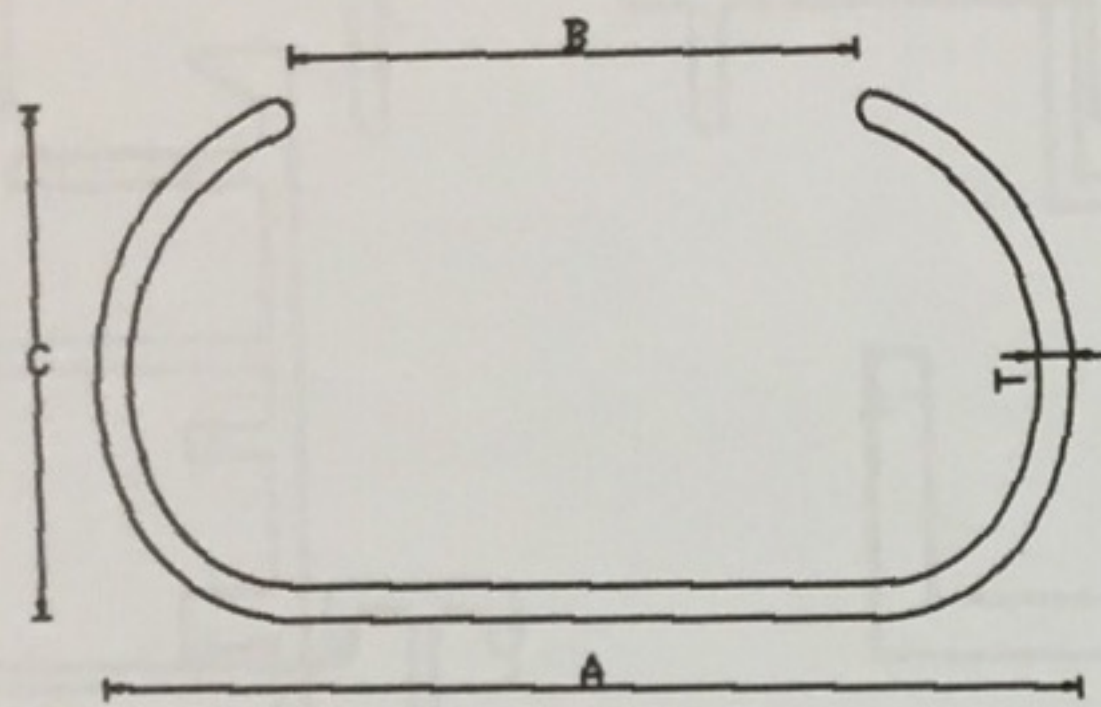
SE. No.	A	B	T	WT RANGE /12FT	
58215	54.20	50.00	2.80	8.300	9.100

TRANSPORT SECTIONS

LADDER SECTION

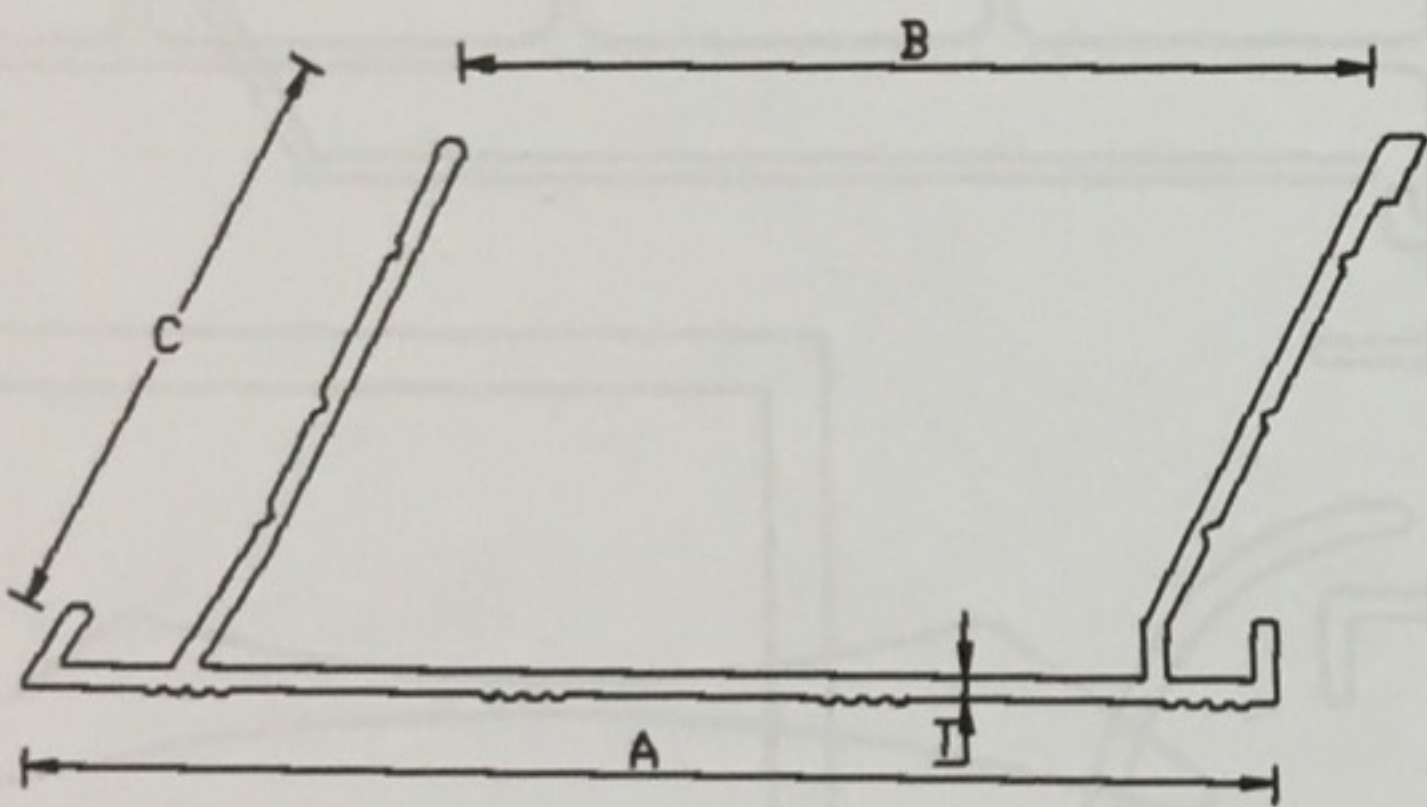


SE. No.	A	B	C	T	WT RANGE /12FT	
58505	66.30	42.00	32.00	2.60	5.300	5.800

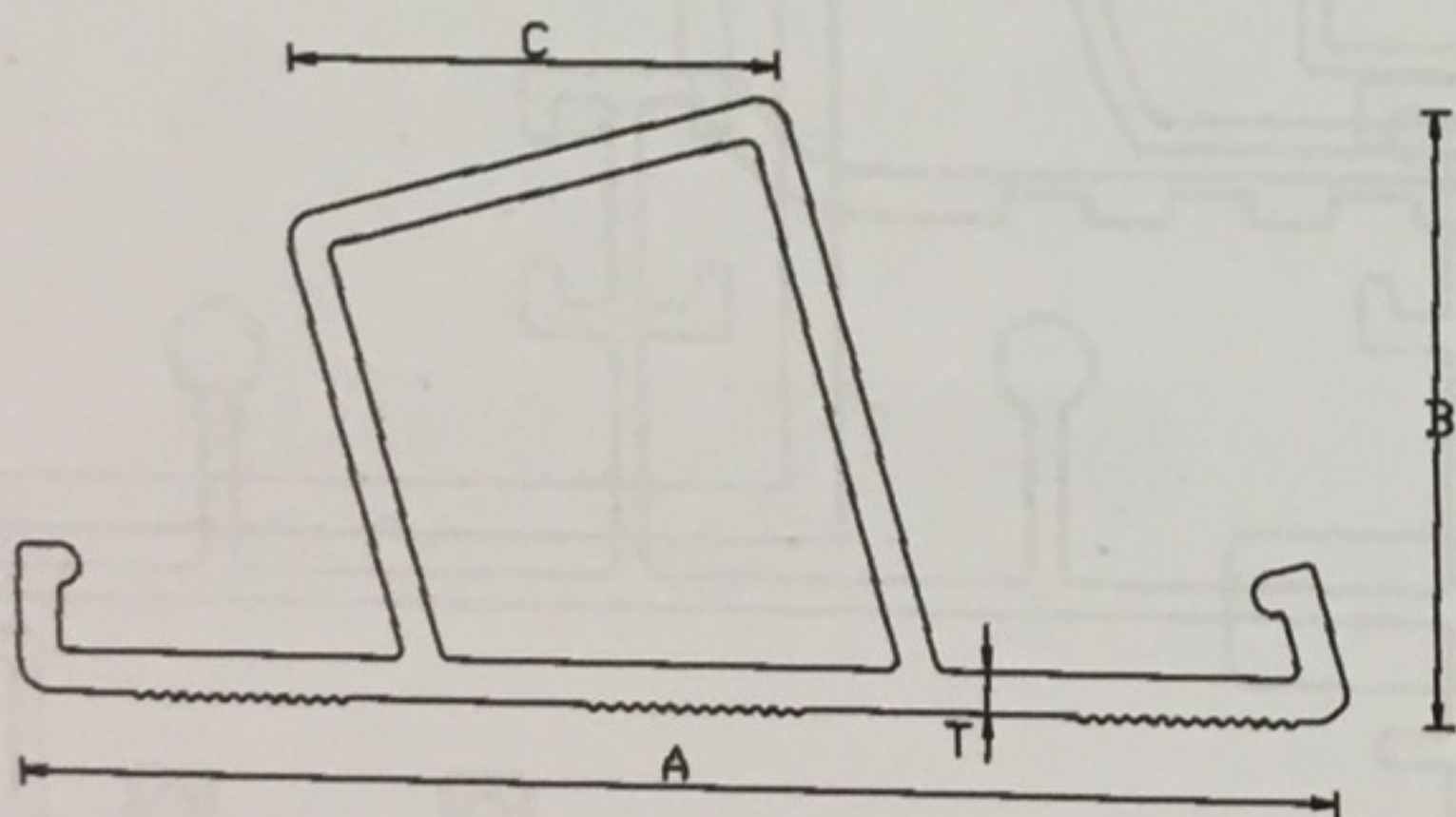


SE. No.	A	B	C	T	WT RANGE /12FT	
58511	64.00	37.00	33.00	1.50	3.000	3.300
58512	64.00	37.00	33.00	2.10	4.300	4.700

STEP LADDER

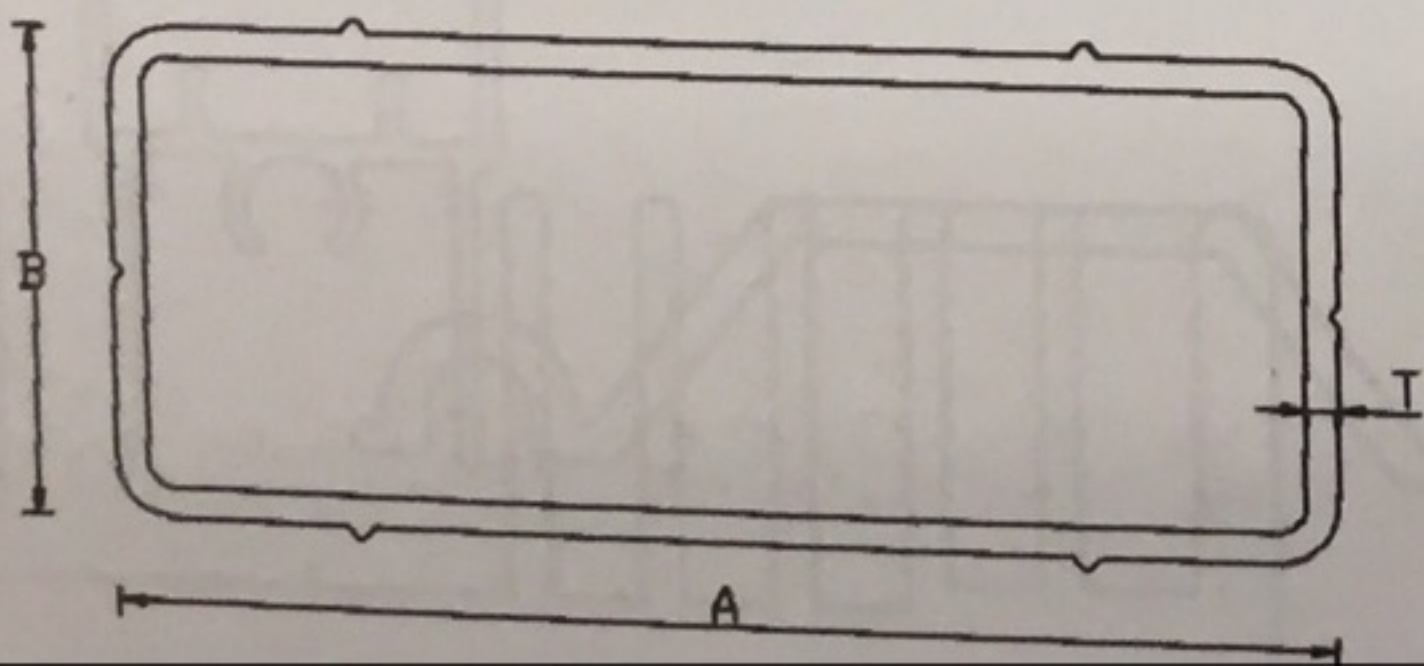


SE. No.	A	B	C	T	WT RANGE /12FT	
58551	64.80	29.60	25.20	1.80	2.800	3.100



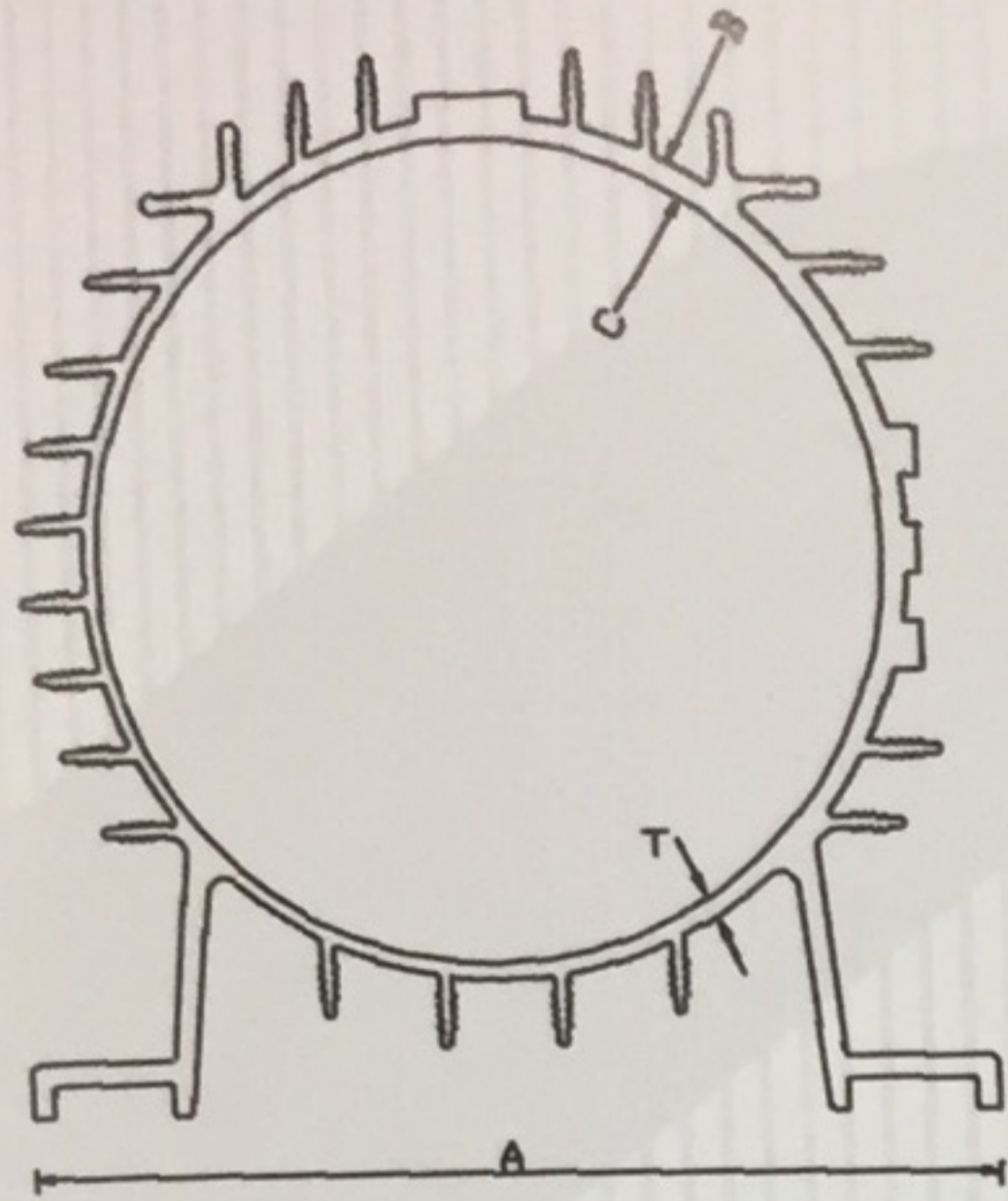
SE. No.	A	B	C	T	WT RANGE /12FT	
58571	79.70	61.90	34.80	1.40	2.300	2.600

TUBE LADDER SECTION

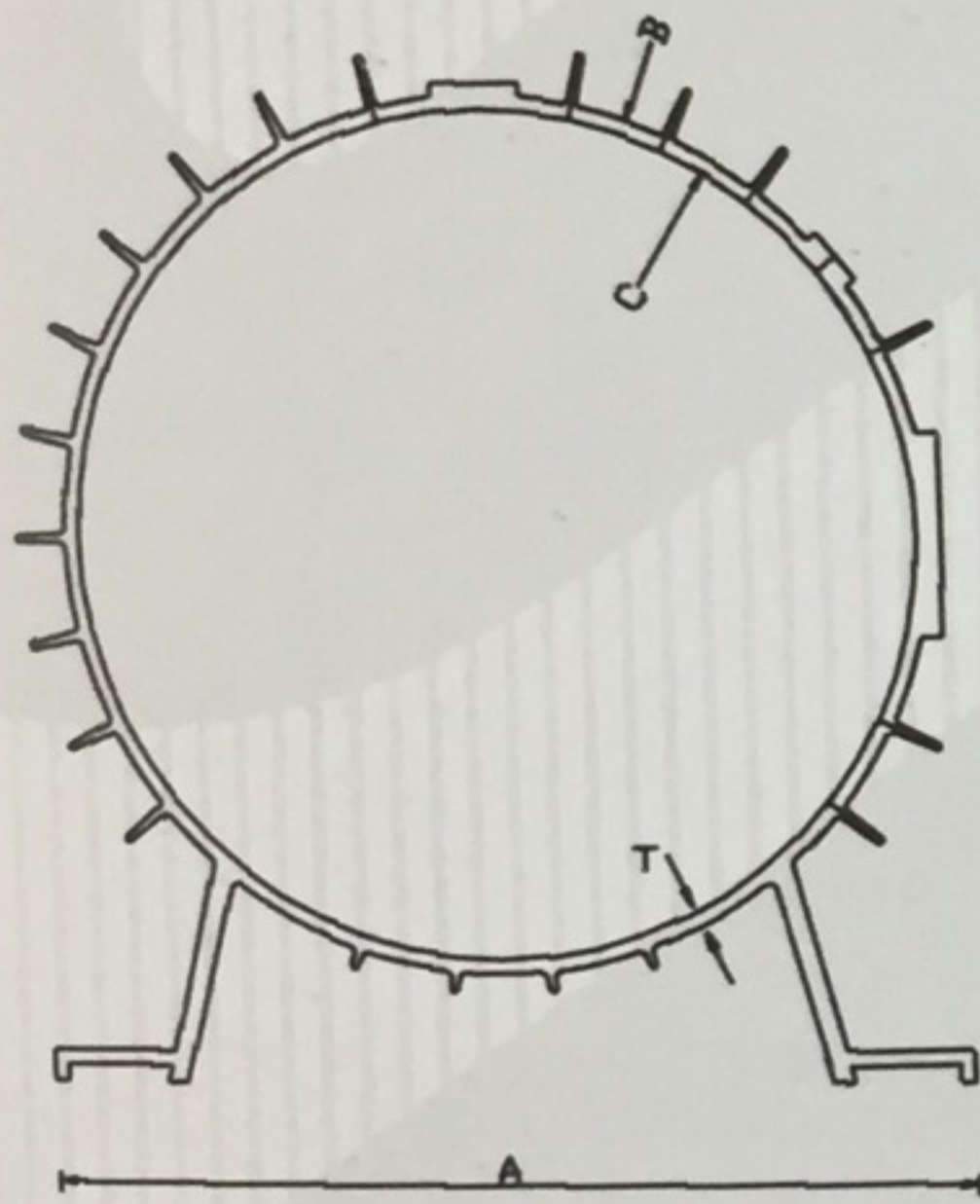


SE. No.	A	B	T	WT RANGE /12FT	
58593	33.20	20.40	1.30	1.250	1.500
58597	50.40	20.70	1.30	1.700	1.900

MOTOR BODY

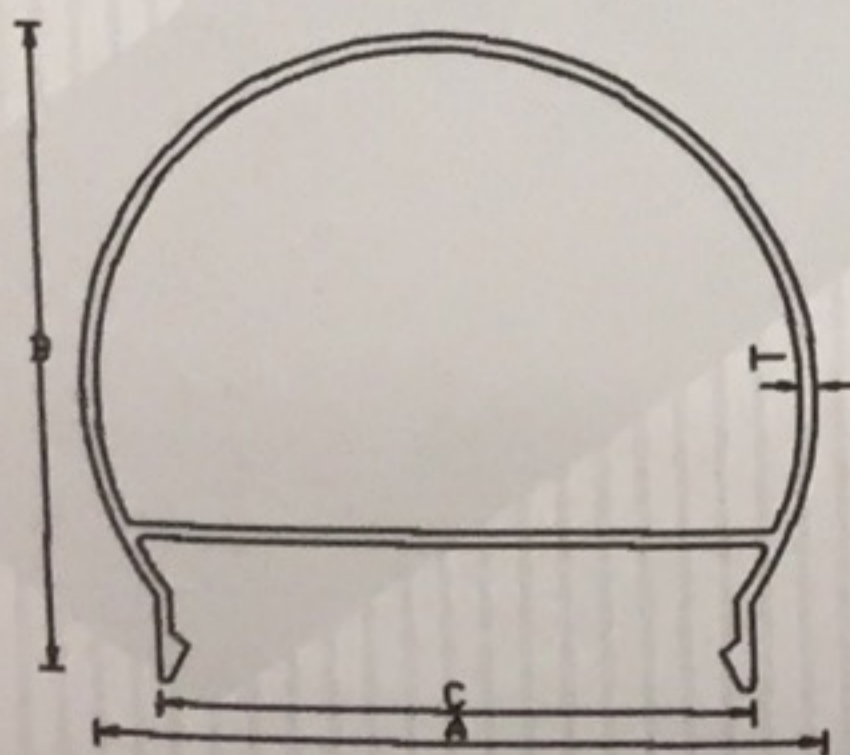


SE. No.	A	B	C	T	WT RANGE /12FT	
58811	110.00	93.10	88.80	2.15	12.200	13.400



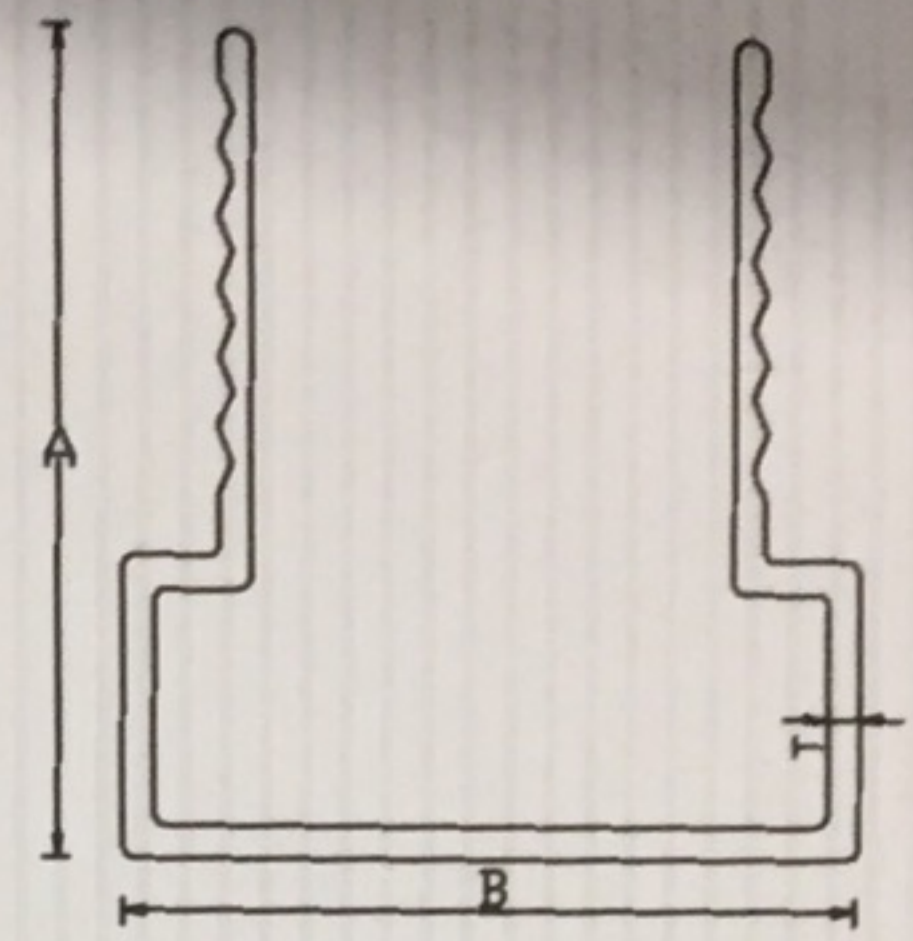
SE. No.	A	B	C	T	WT RANGE /12FT	
58821	115.00	120.40	107.60	1.600	9.750	10.800

ROUND HALF - BULB

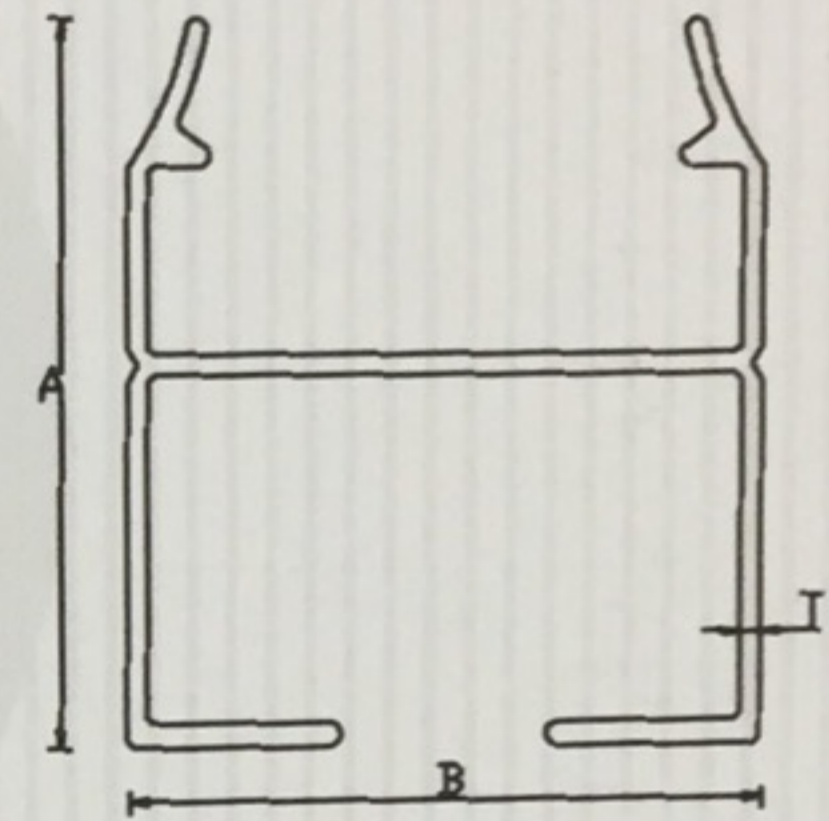


SE. No.	A	B	C	T	WT RANGE /12FT	
58421	69.00	63.00	56.00	1.35	3.100	3.400

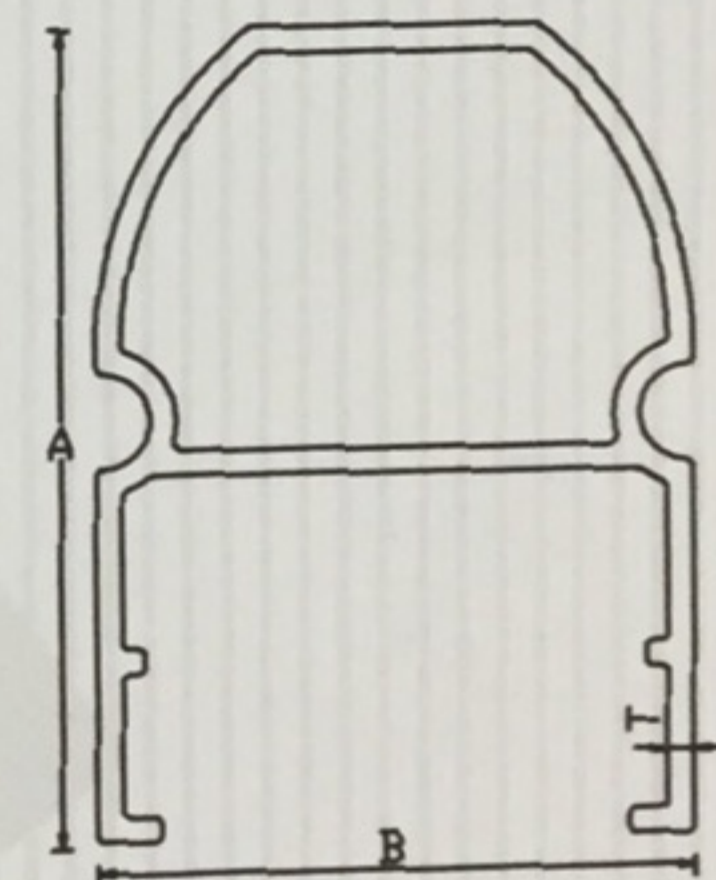
PHOTO FRAME



SE. No.	A	B	T	WT RANGE /12FT	
58901	18.50	17.40	0.75	0.400	0.440

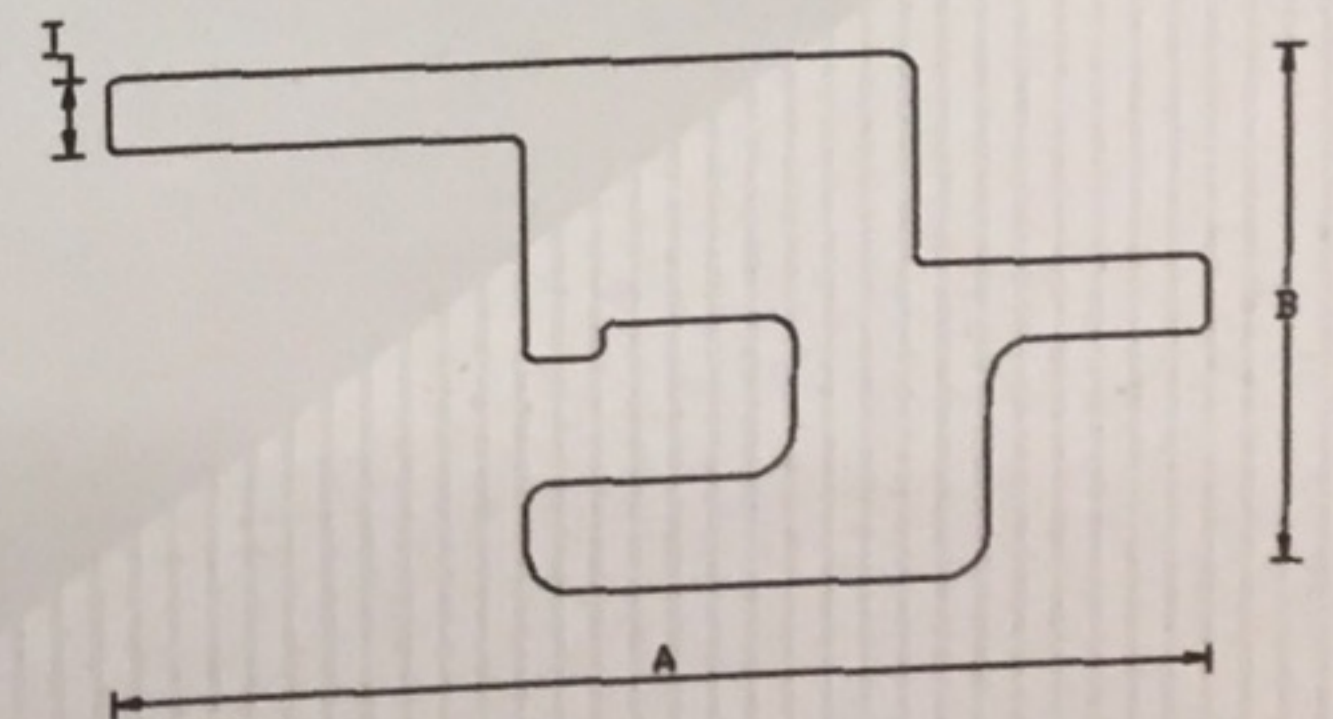


SE. No.	A	B	T	WT RANGE /12FT	
58903	19.85	17.70	0.55	0.400	0.440



SE. No.	A	B	T	WT RANGE /12FT	
58905	25.50	18.75	0.80	0.720	0.800

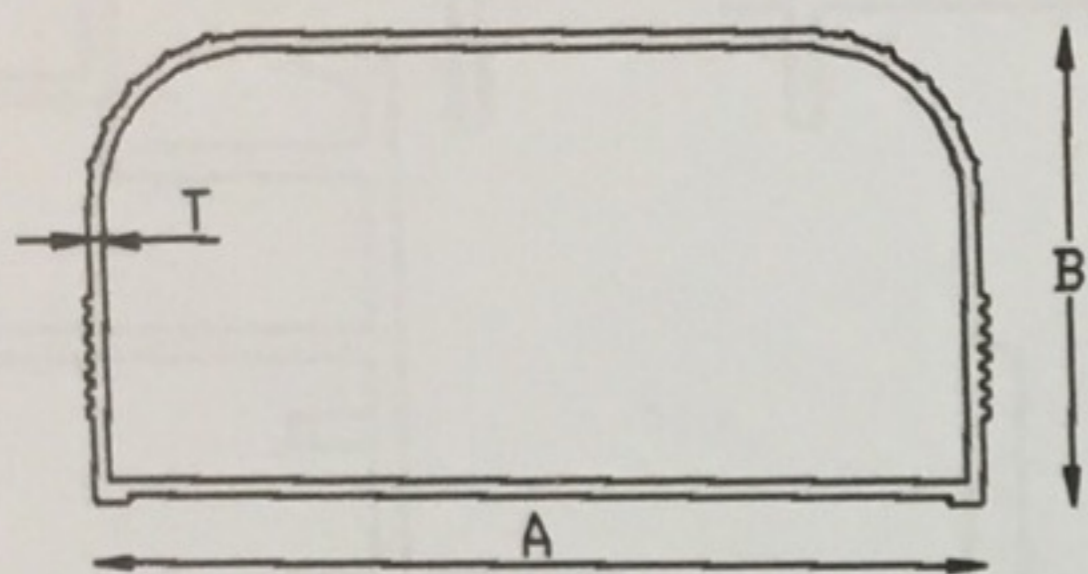
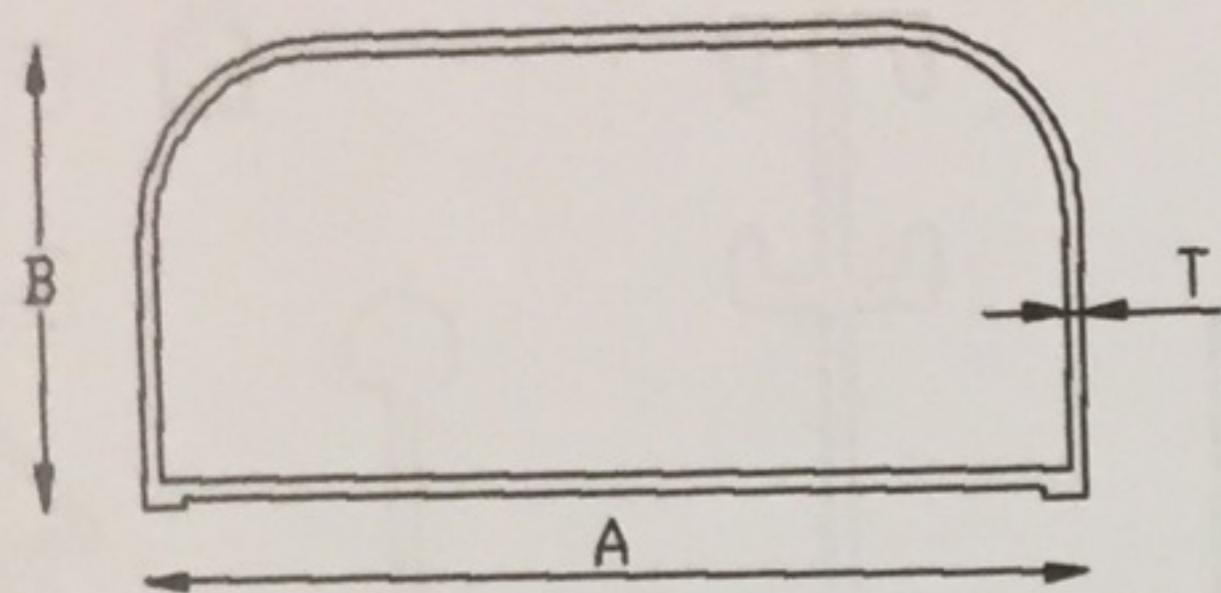
CLIP SOLID



SE. No.	A	B	T	WT RANGE /12FT	
58611	44.80	22.00	3.00	3.950	4.300

SURVEY SCALE SECTIONS

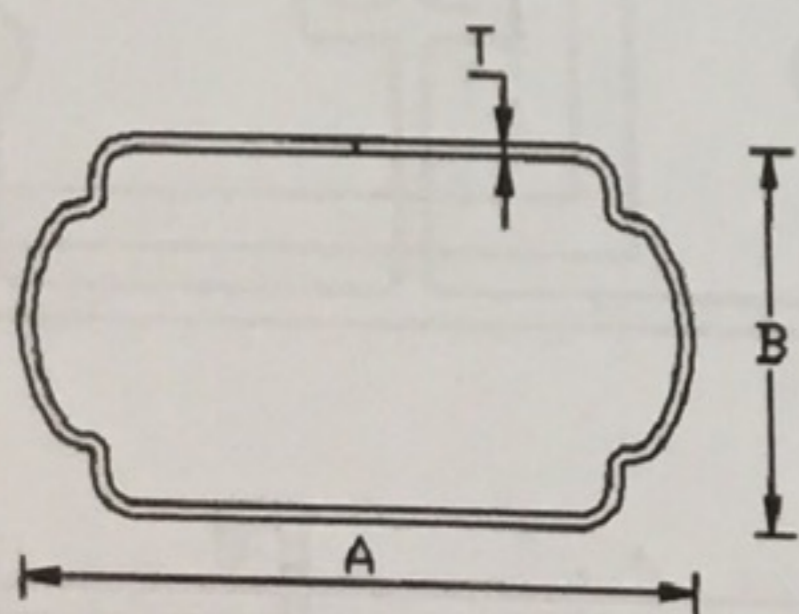
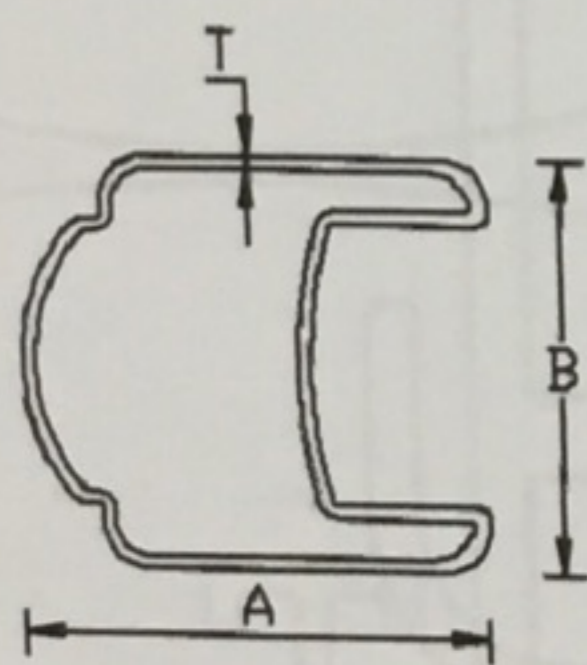
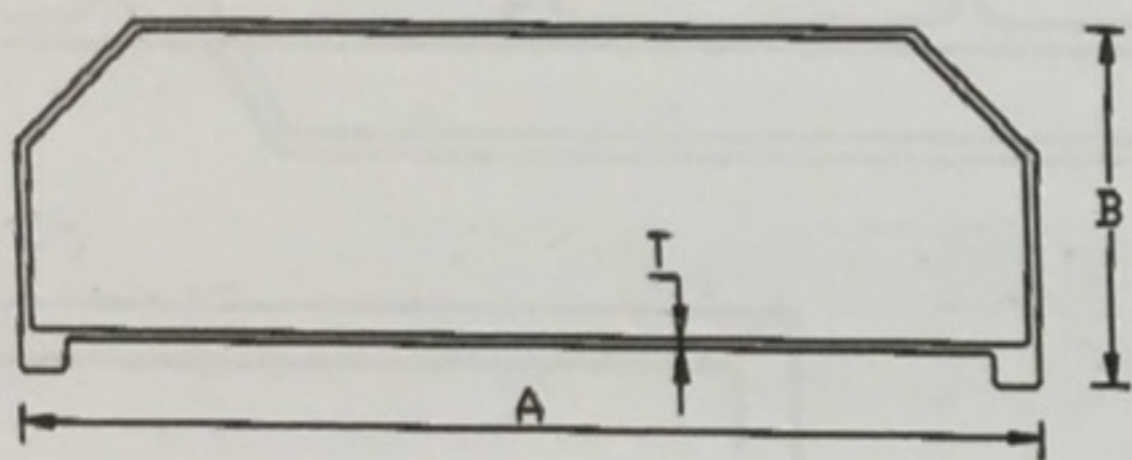
D TUBE SURVEY SCALE



SE. No.	A	B	T	WT RANGE /12FT	
52801	34.00	9.80	0.75	0.625	0.700
52802	34.00	9.80	0.90	0.750	0.800
52803	38.00	13.90	0.75	0.720	0.790
52804	38.00	13.90	0.90	0.850	0.940
52805	42.10	18.00	0.75	0.825	0.900
52806	42.10	18.00	0.90	0.950	1.050
52807	46.00	21.80	0.75	0.950	1.050
52808	46.00	21.80	0.90	1.150	1.300

SE. No.	A	B	T	WT RANGE /12FT	
52809	50.00	25.50	0.85	1.200	1.400
52810	50.00	25.50	1.00	1.400	1.600

BOX TUBE SURVEY SCALE

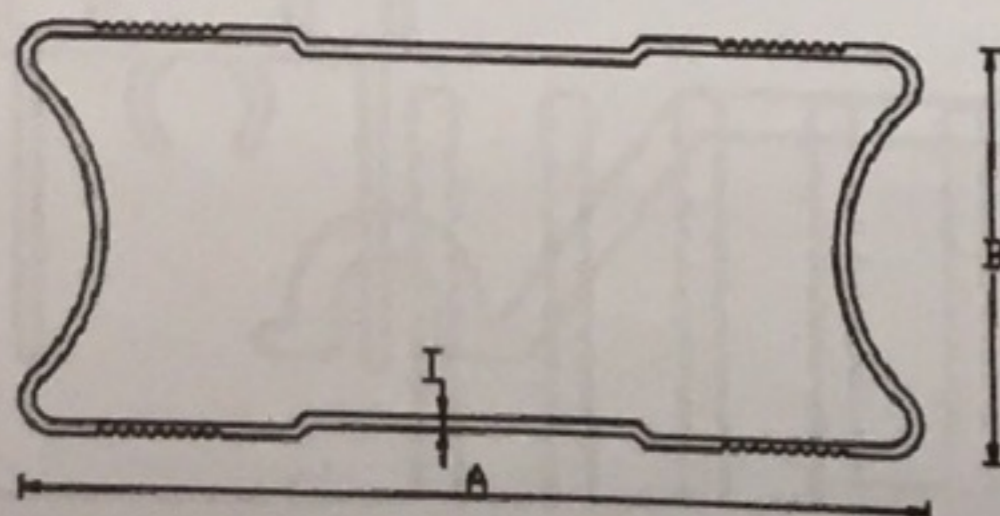


SE. No.	A	B	T	WT RANGE /12FT	
52821	52.90	9.00	0.70	0.835	0.900
52822	52.90	9.00	0.85	1.000	1.100
52823	53.40	16.50	0.70	1.000	1.100
52824	53.40	16.50	0.85	1.200	1.400
52825	61.00	22.80	0.70	1.250	1.400
52826	61.00	22.80	0.85	1.500	1.700

SE. No.	A	B	T	WT RANGE /12FT	
52827	25.00	22.00	0.80	0.700	0.770
52828	25.00	22.00	1.00	0.860	0.940

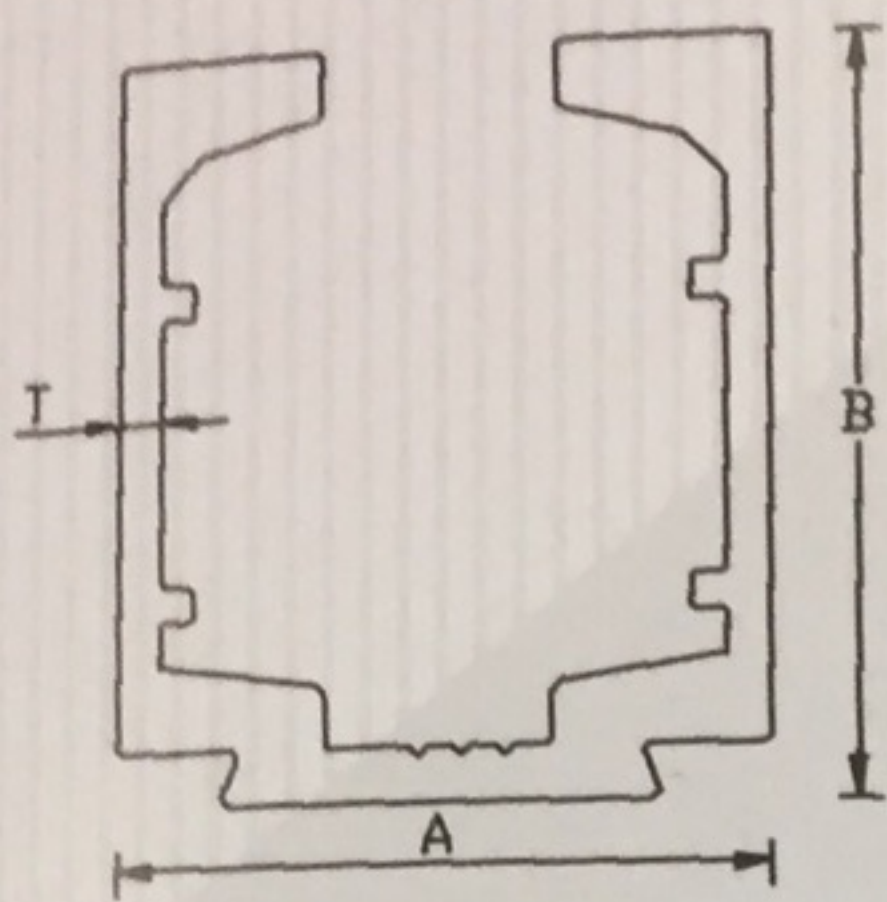
SE. No.	A	B	T	WT RANGE /12FT	
52829	39.00	22.00	0.75	0.780	0.840
52830	39.00	22.00	0.85	0.940	1.050

TELESCOPIC CHANNEL

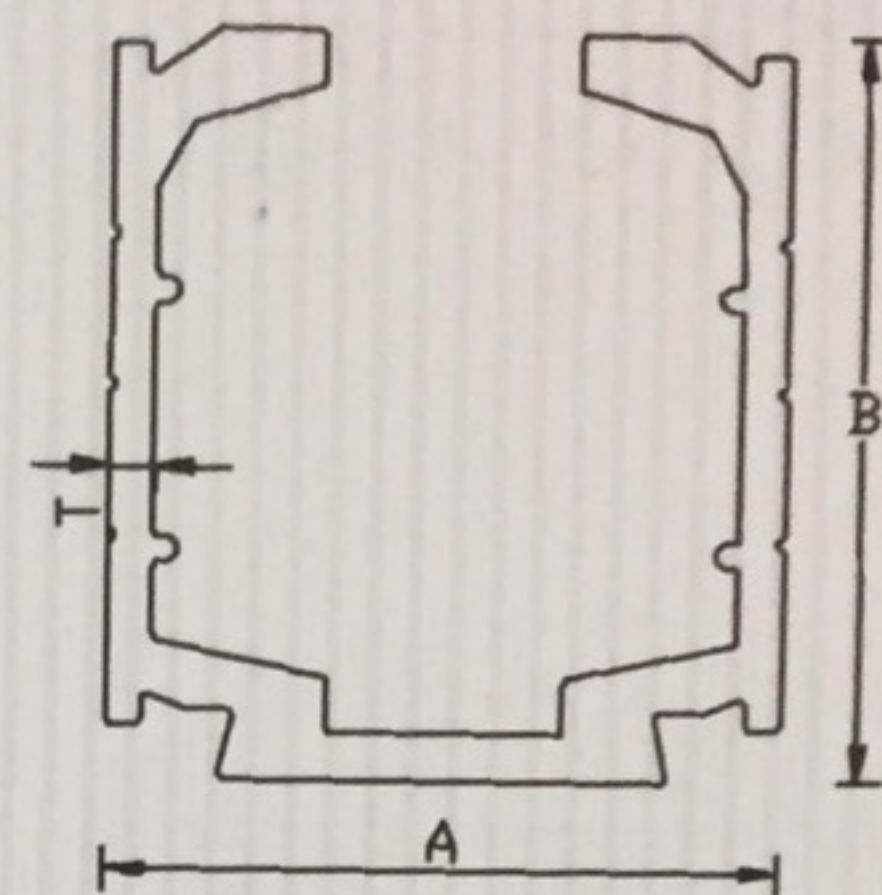


SE. No.	A	B	T	WT RANGE /12FT	
52841	50.00	22.75	0.75	1.000	1.150
52842	50.00	22.75	0.90	1.200	1.400

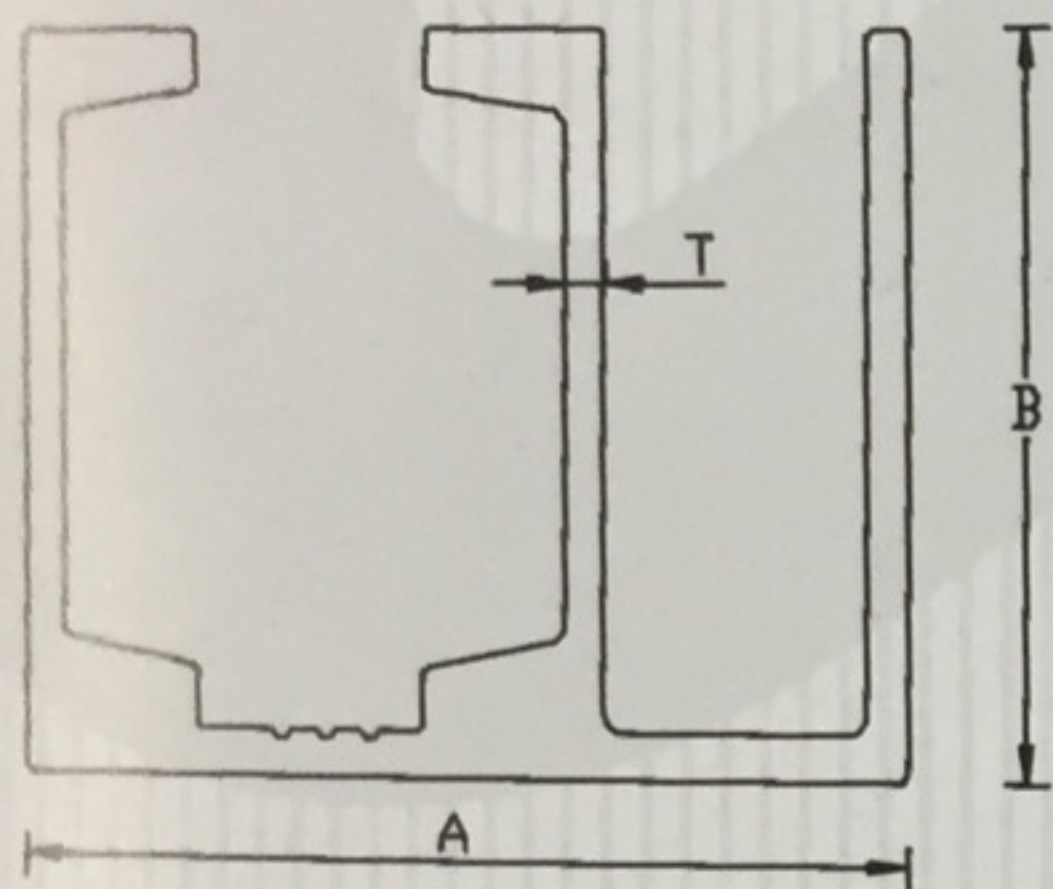
KITCHEN PROFILE SECTION



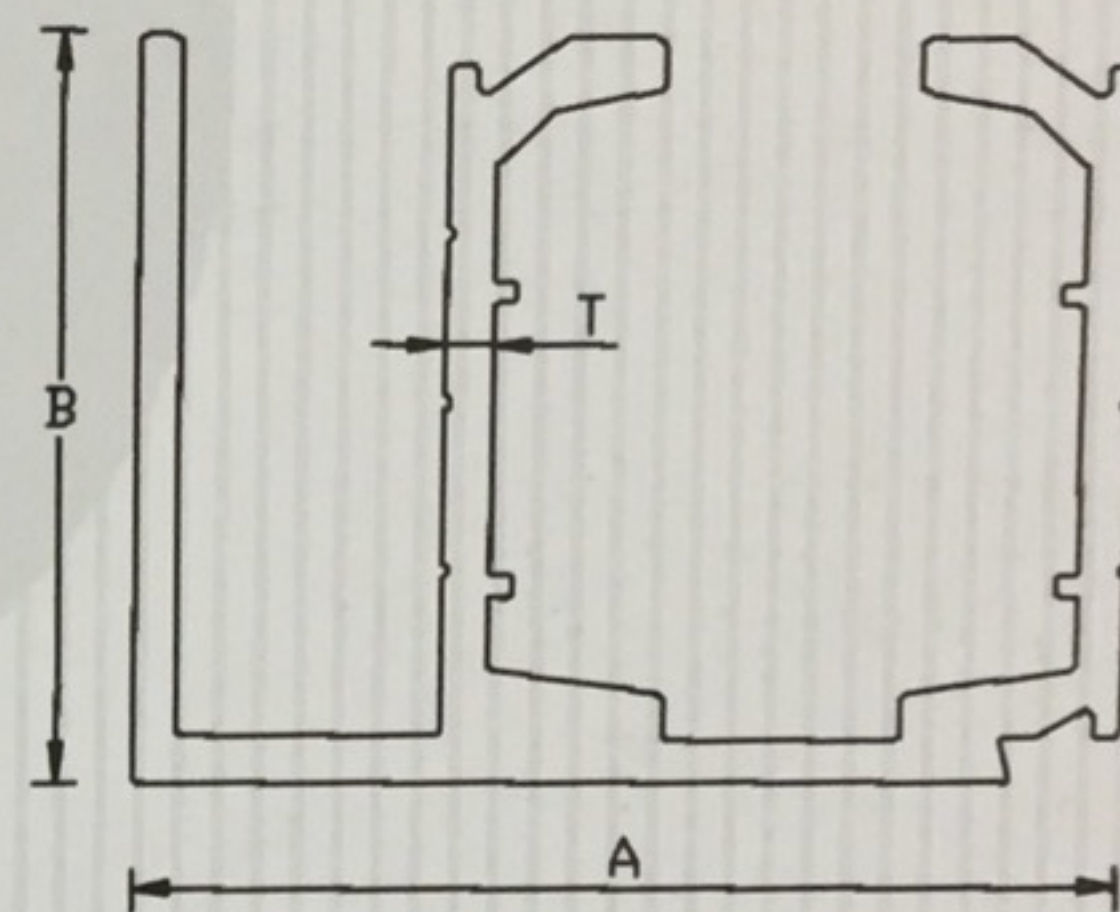
SE. No.	A	B	T	WT RANGE /12FT	
54651	37.60	40.00	2.50	4.400	4.800



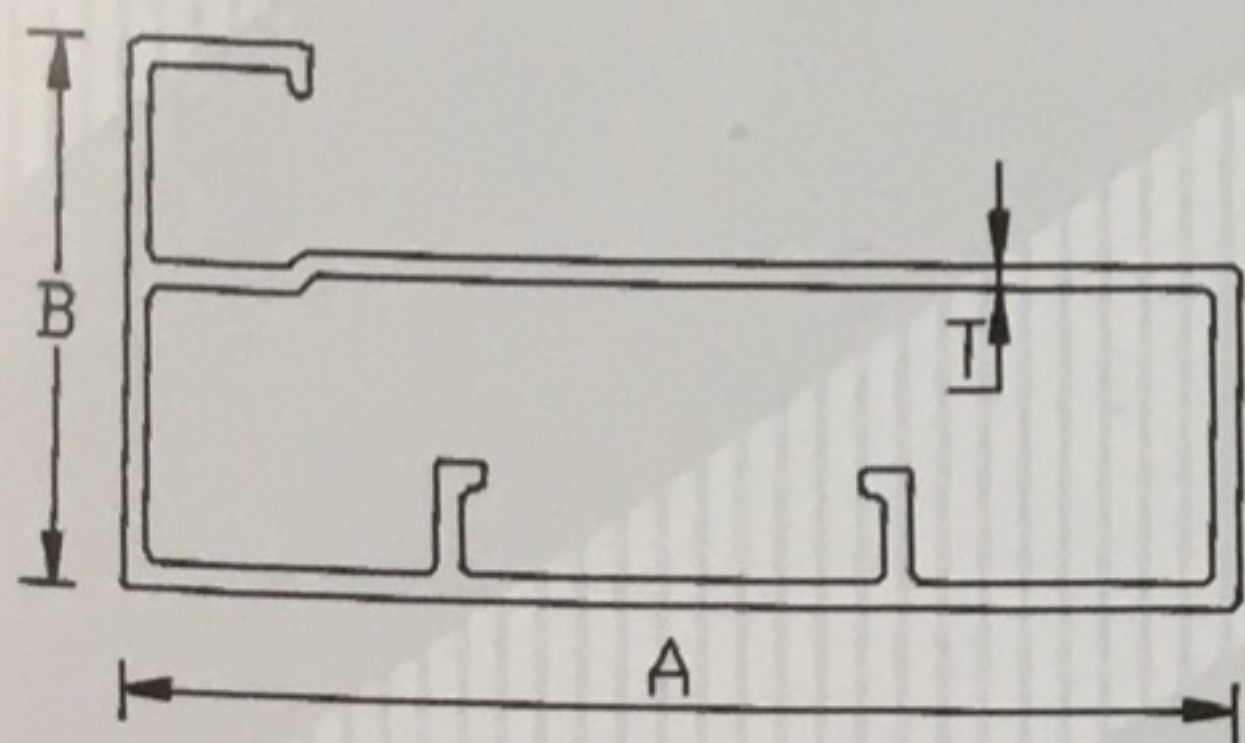
SE. No.	A	B	T	WT RANGE /12FT	
54653	37.30	40.00	2.50	3.800	4.200



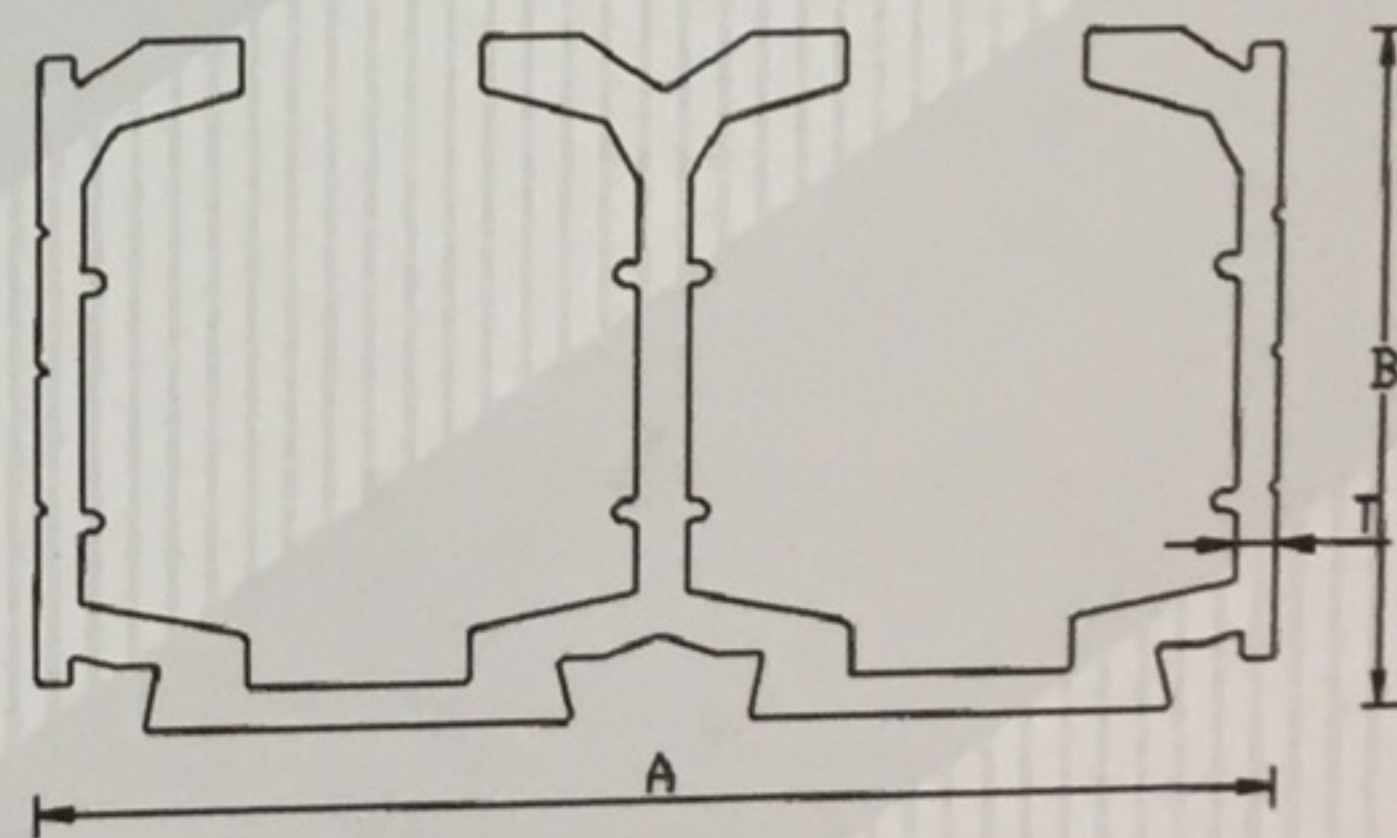
SE. No.	A	B	T	WT RANGE /12FT	
54655	50.00	40.60	2.50	5.000	5.500



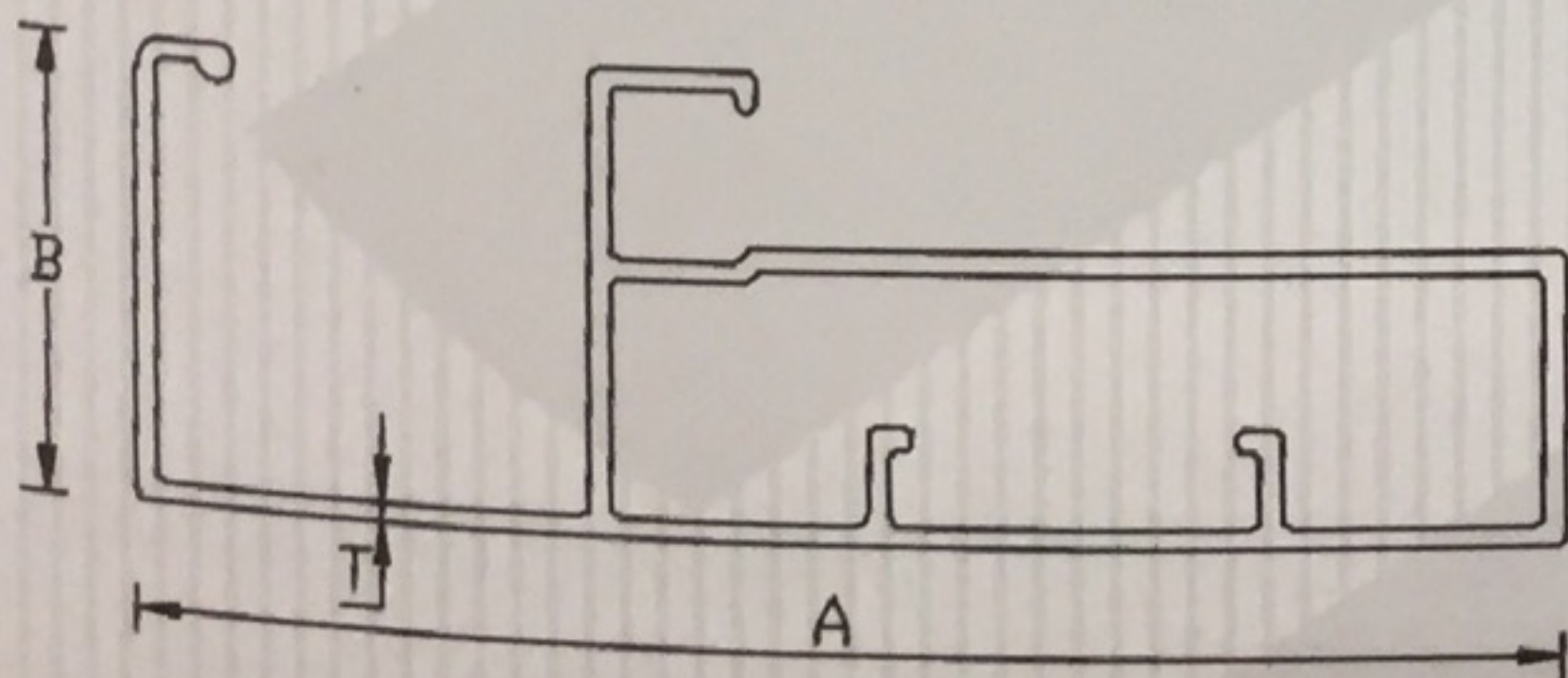
SE. No.	A	B	T	WT RANGE /12FT	
54657	53.60	40.00	2.50	4.900	5.400



SE. No.	A	B	T	WT RANGE /12FT	
58324	45.00	22.00	1.00	1.400	1.600

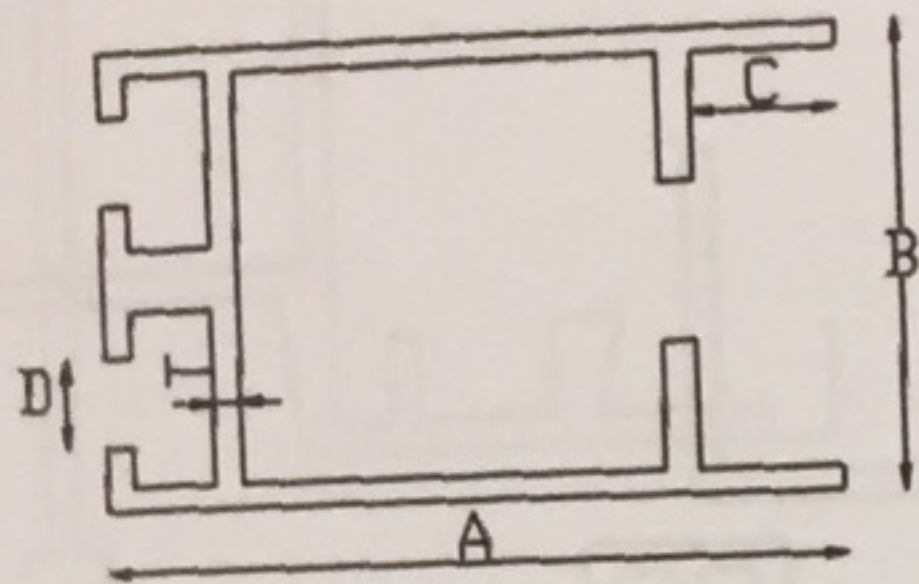


SE. No.	A	B	T	WT RANGE /12FT	
54659	72.60	40.00	2.50	6.800	7.400

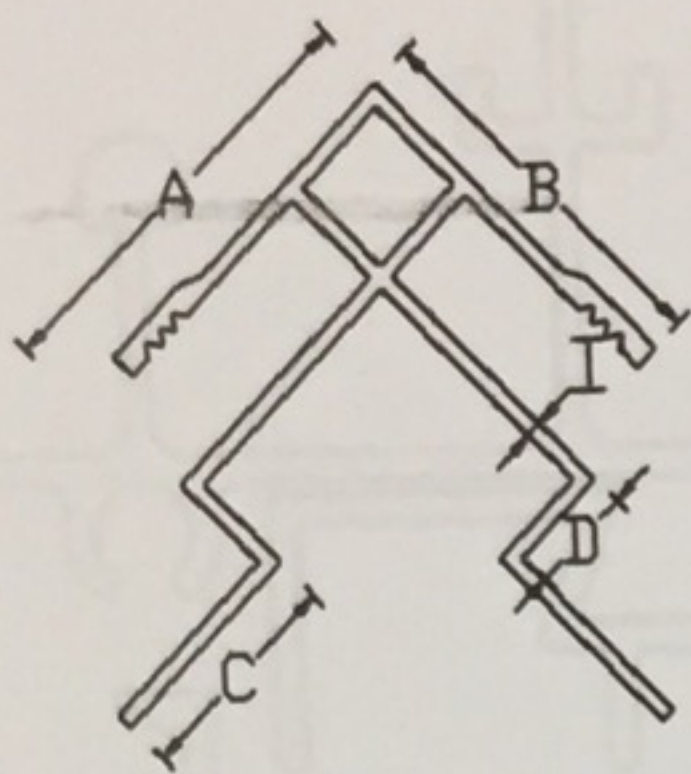


SE. No.	A	B	T	WT RANGE /12FT	
58327	67.20	22.00	1.00	1.900	2.100

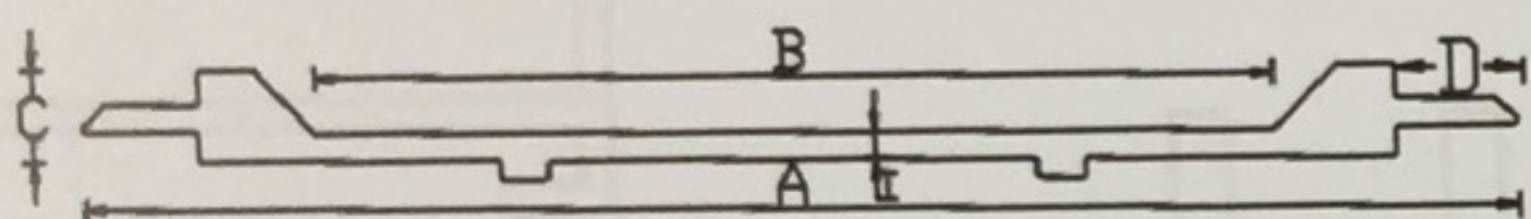
MISCELLANEOUS SECTION



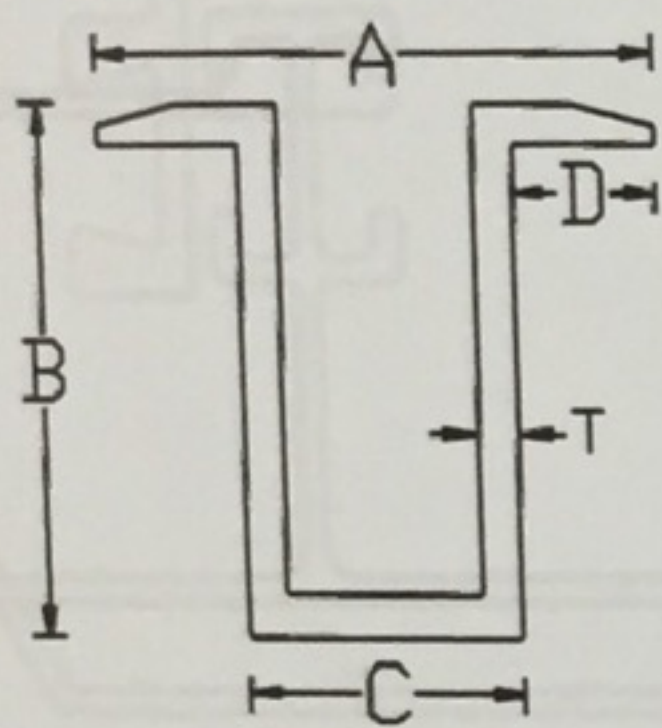
SE. No.	A	B	C	D	T	WT RANGE /12FT	
59401	74.00	44.50	14.15	8.50	2.50	6.700	7.300



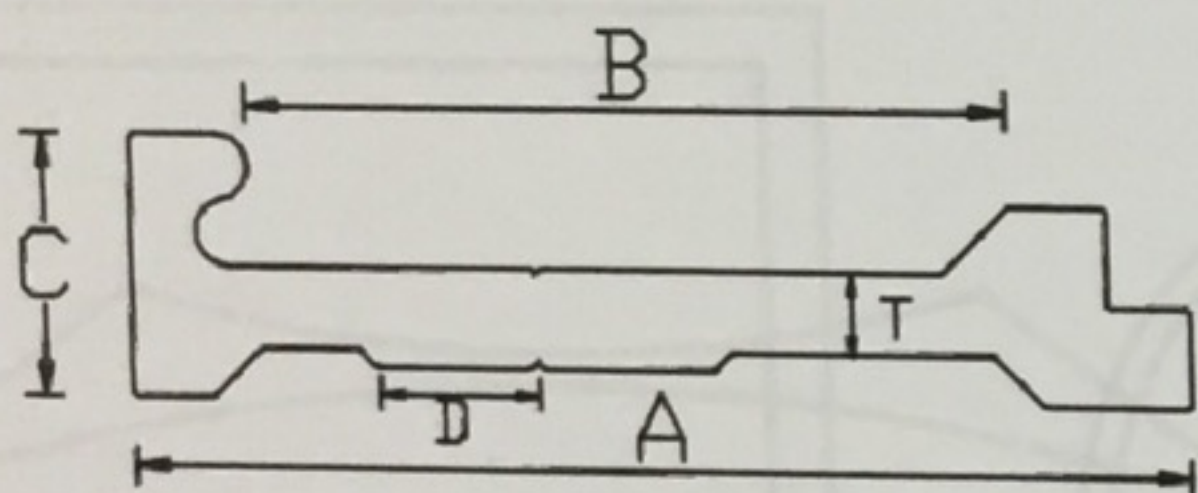
SE. No.	A	B	C	D	T	WT RANGE /12FT	
59402	39.00	35.00	21.00	10.00	1.50	3.100	3.400



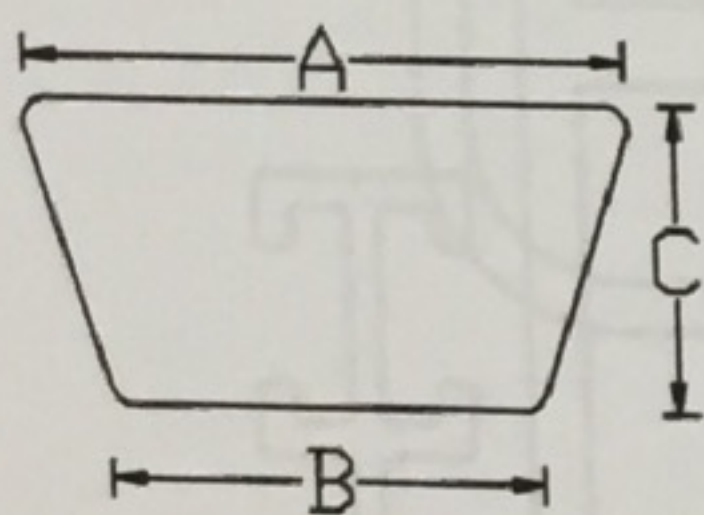
SE. No.	A	B	C	D	T	WT RANGE /12FT	
59403	149.80	100.00	11.20	5.00	2.70	5.400	6.000



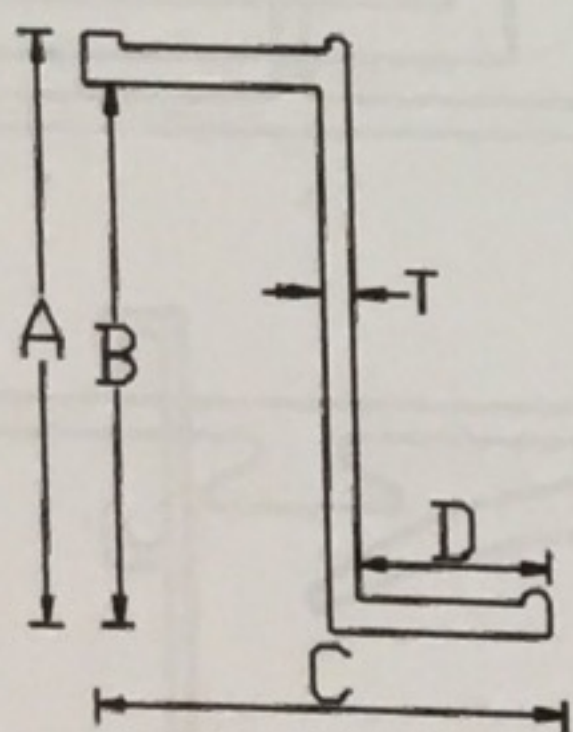
SE. No.	A	B	C	D	T	WT RANGE /12FT	
59404	39.30	36.90	19.30	10.00	2.70	2.900	3.300



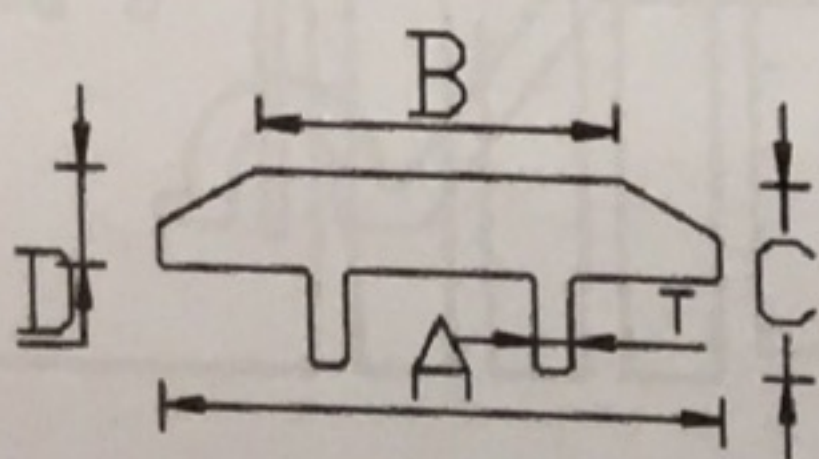
SE. No.	A	B	C	D	T	WT RANGE /12FT	
59405	65.50	46.70	16.00	10.00	5.00	4.600	5.000



SE. No.	A	B	C	WT RANGE /12FT	
59406	10.00	7.00	5.00	4.400	4.700

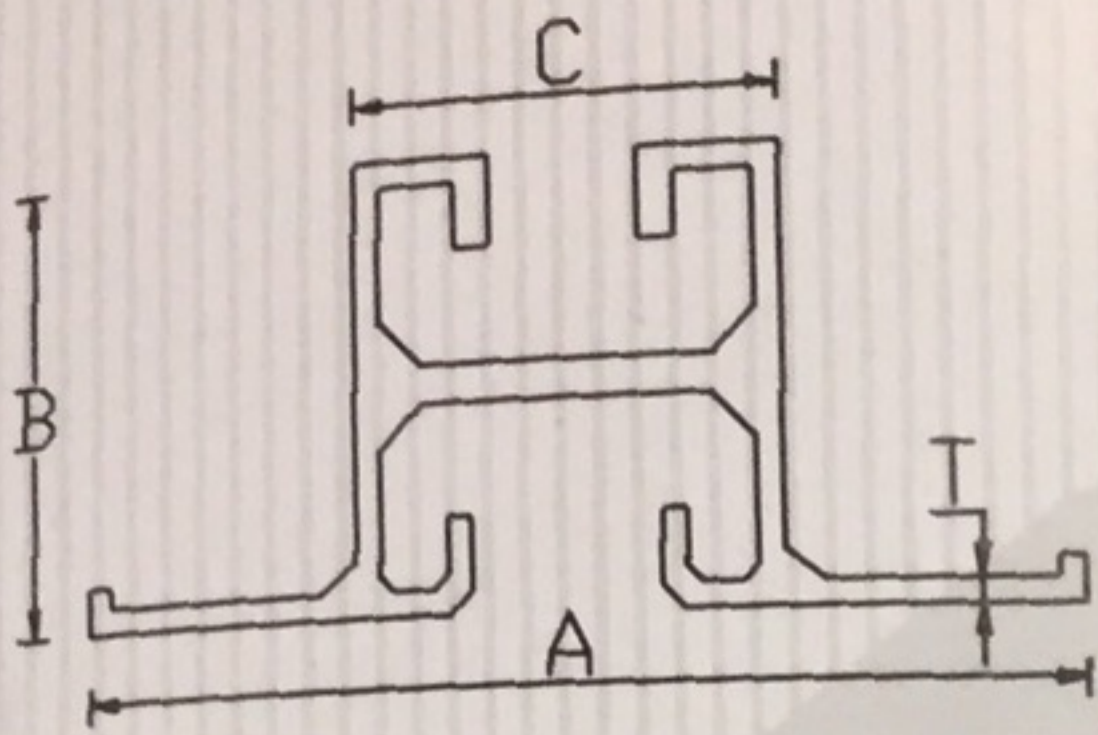


SE. No.	A	B	C	D	T	WT RANGE /12FT	
59407	43.30	39.50	33.50	12.05	2.20	1.800	2.000

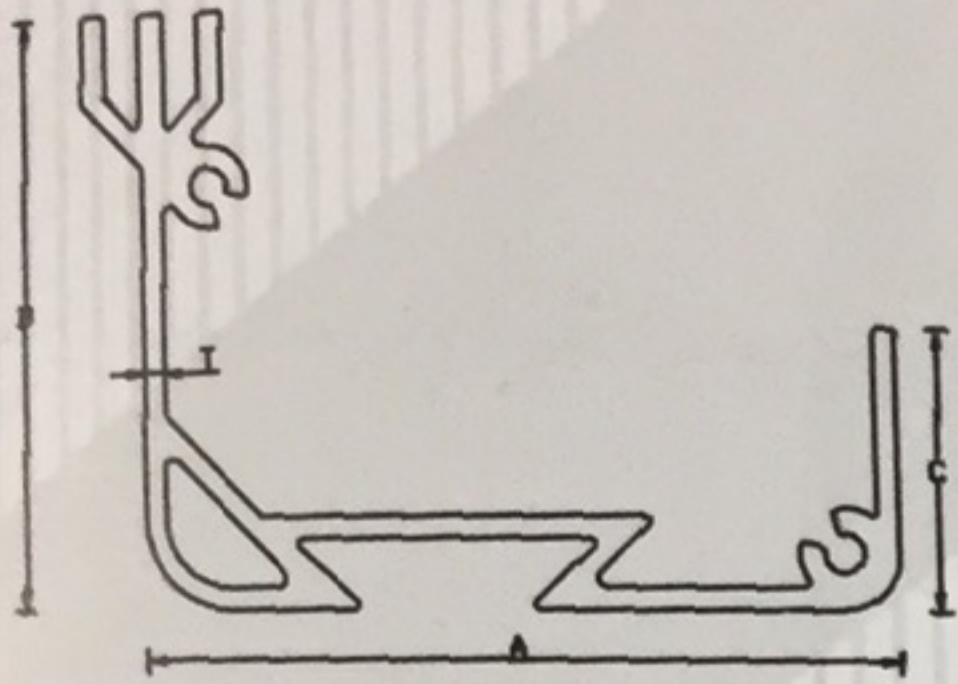


SE. No.	A	B	C	D	T	WT RANGE /12FT	
59408	28.00	18.00	9.50	4.80	1.80	1.400	1.600

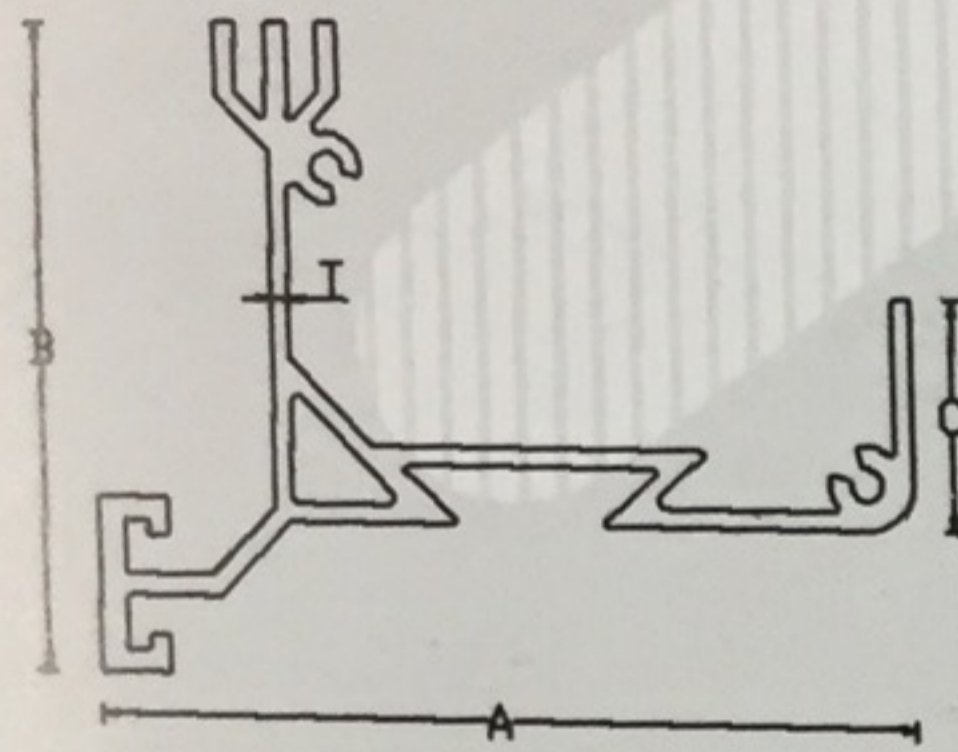
MISCELLANEOUS SECTION



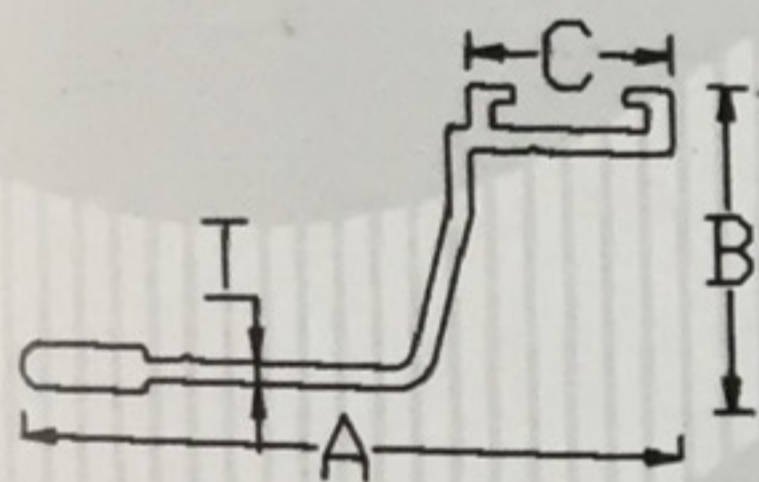
SE. No.	A	B	C	T	WT RANGE /12FT	
59409	70.00	30.10	29.90	1.75	3.500	3.900



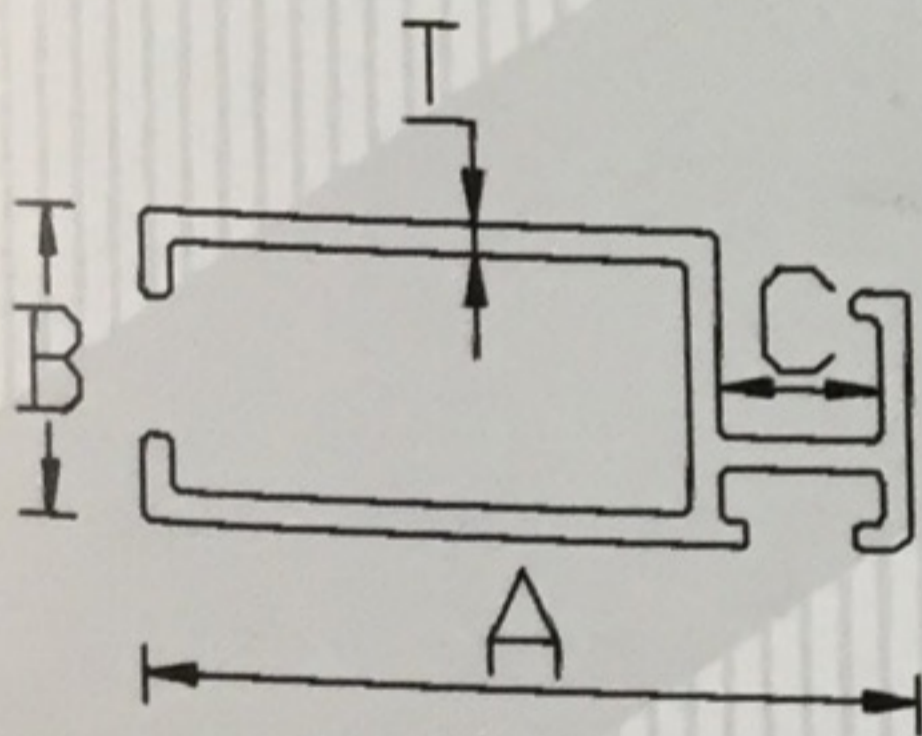
SE. No.	A	B	C	T	WT RANGE /12FT	
59410	85.50	65.00	30.00	2.40	7.300	8.000



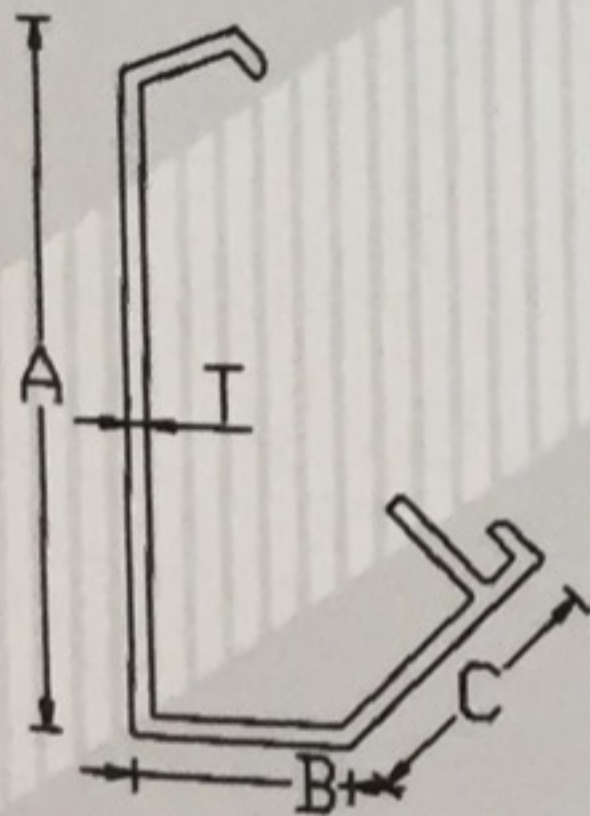
SE. No.	A	B	C	T	WT RANGE /12FT	
59411	110.50	85.00	30.00	2.40	9.400	10.300



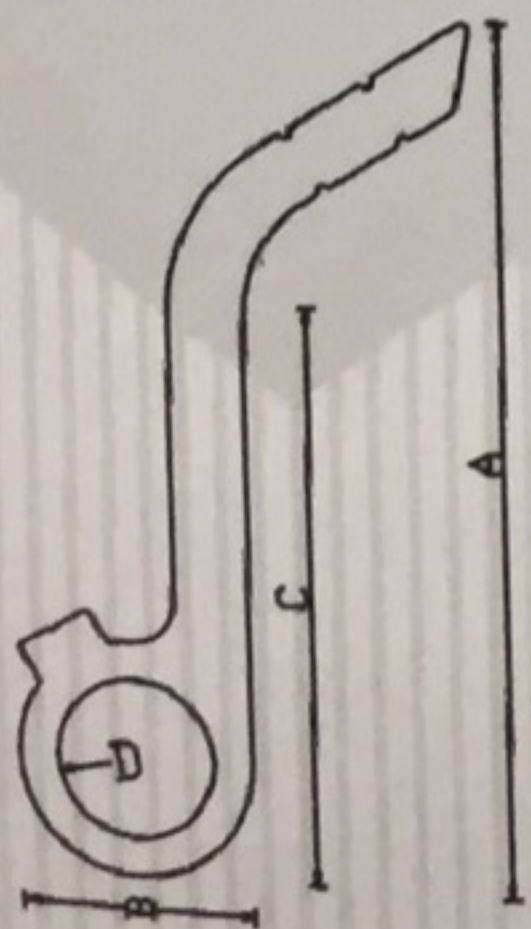
SE. No.	A	B	C	T	WT RANGE /12FT	
59412	42.00	19.50	12.60	1.40	0.950	1.050



SE. No.	A	B	C	T	WT RANGE /12FT	
59413	30.50	12.20	6.20	1.20	0.950	1.050

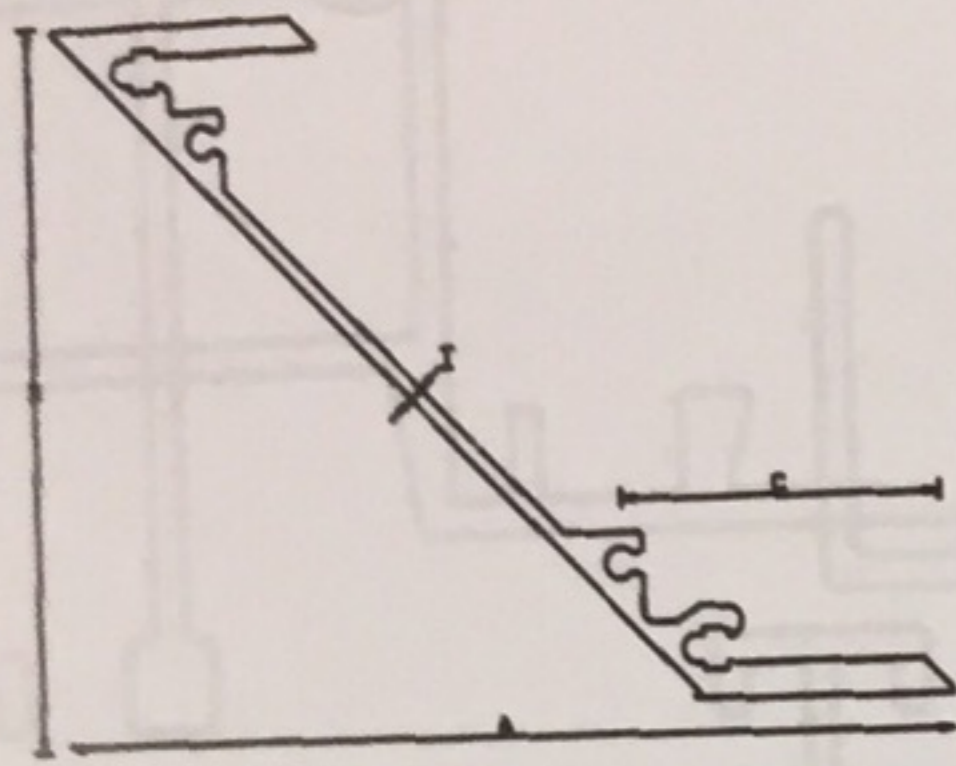


SE. No.	A	B	C	T	WT RANGE /12FT	
59414	53.50	31.20	20.80	1.50	1.600	1.800

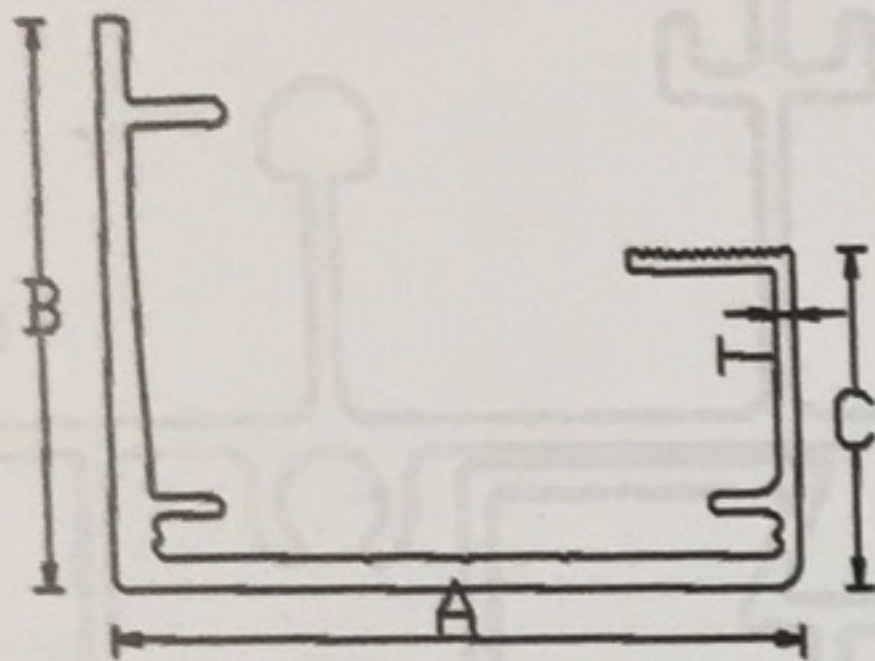


SE. No.	A	B	C	D	T	WT RANGE /12FT	
59415	125.00	34.00	89.90	22.80	11.00	16.700	18.400

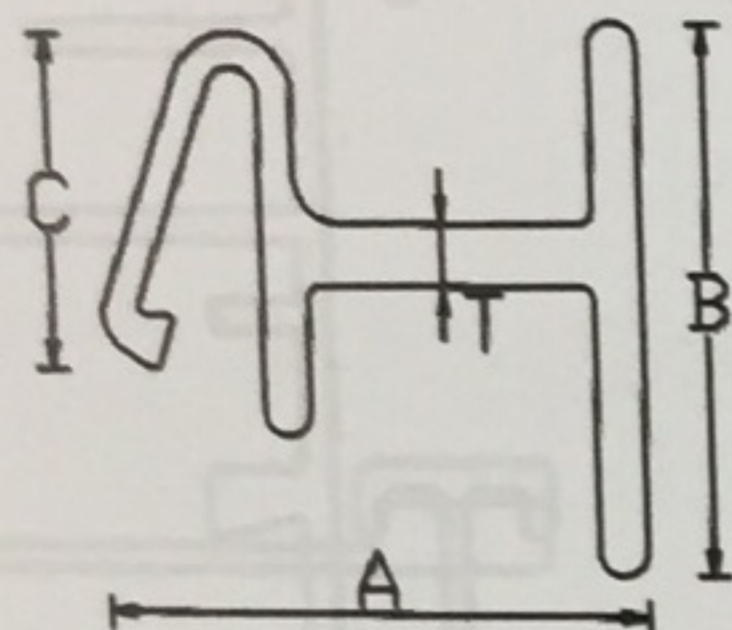
MISCELLANEOUS SECTION



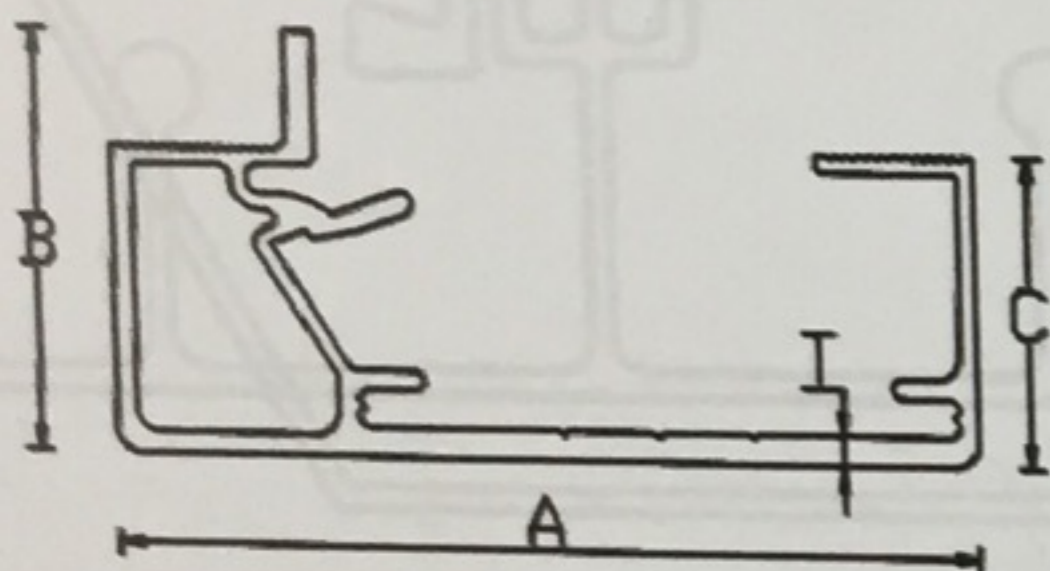
SE. No.	A	B	C	T	WT RANGE /12FT	
59416	129.50	94.60	47.20	2.00	7.000	7.700



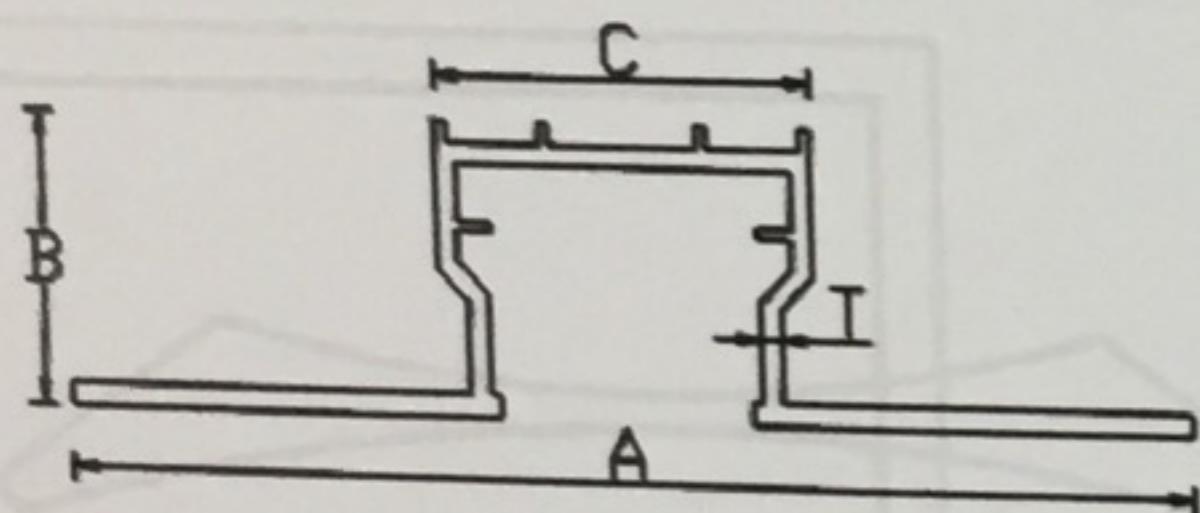
SE. No.	A	B	C	T	WT RANGE /12FT	
59417	57.00	45.00	26.15	2.50	3.400	3.800



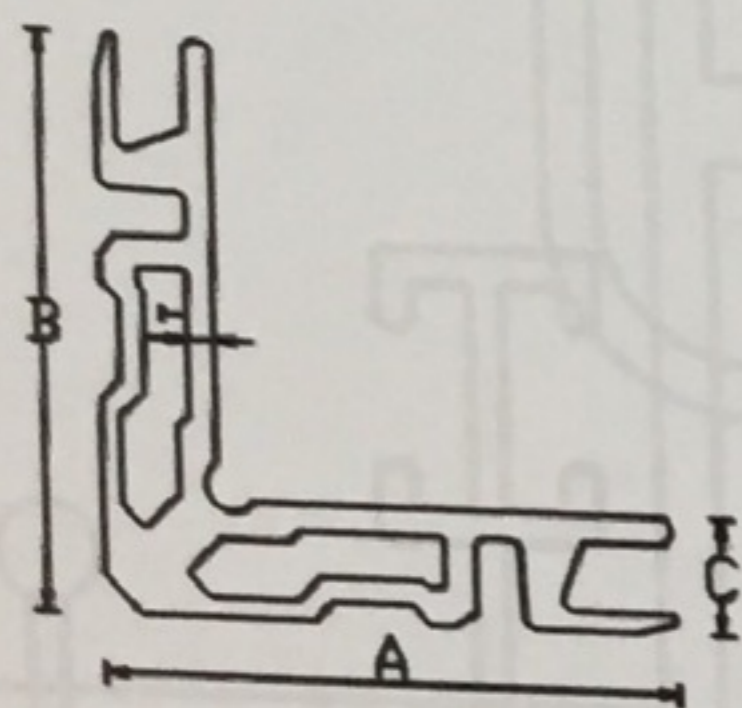
SE. No.	A	B	C	T	WT RANGE /12FT	
59418	22.50	22.00	16.10	2.50	1.200	1.400



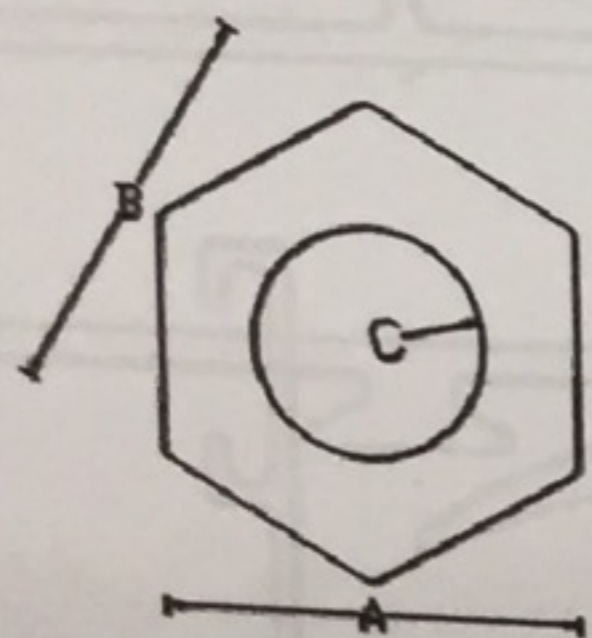
SE. No.	A	B	C	T	WT RANGE /12FT	
59419	75.00	36.00	26.15	2.50	4.000	4.400



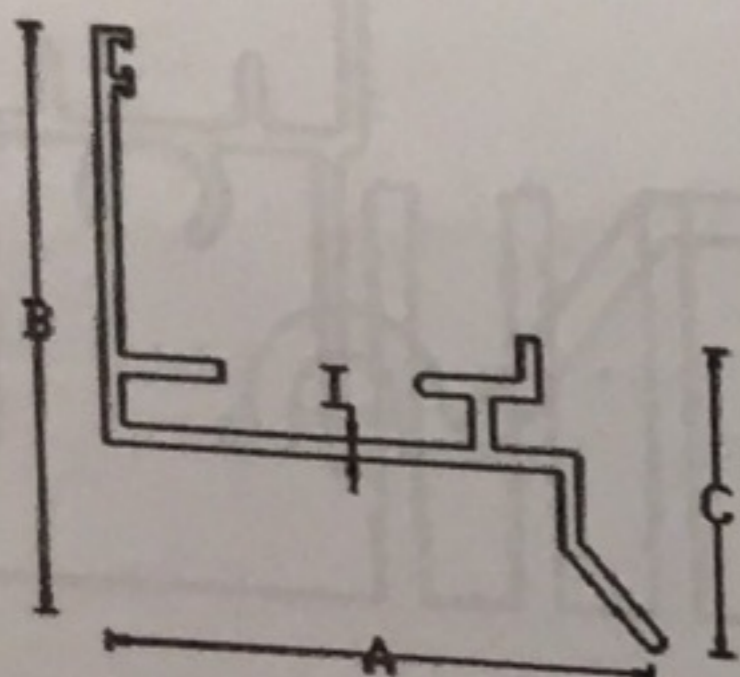
SE. No.	A	B	C	T	WT RANGE /12FT	
59420	100.00	26.00	33.50	2.00	3.000	3.300



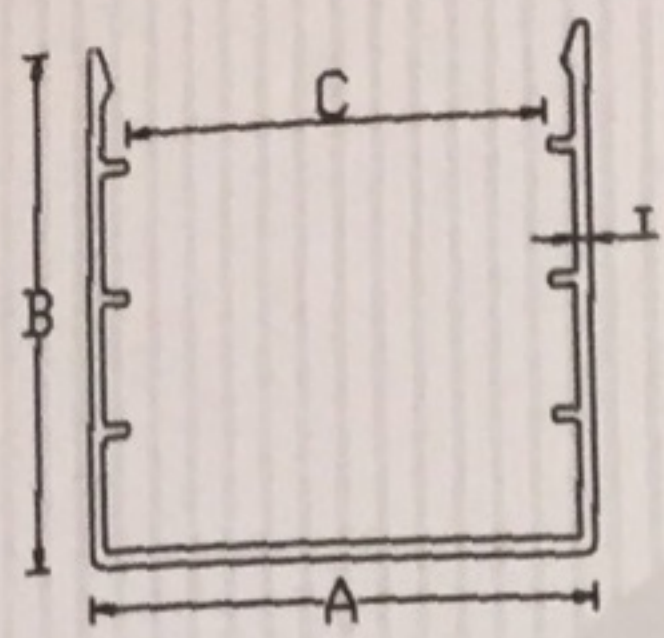
SE. No.	A	B	C	T	WT RANGE /12FT	
59421	59.00	59.00	11.85	2.90	6.800	7.500



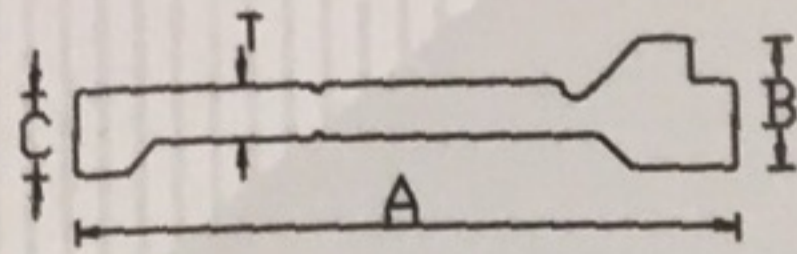
SE. No.	A	B	C	WT RANGE /12FT	
59422	14.00	14.00	7.75	1.200	1.400



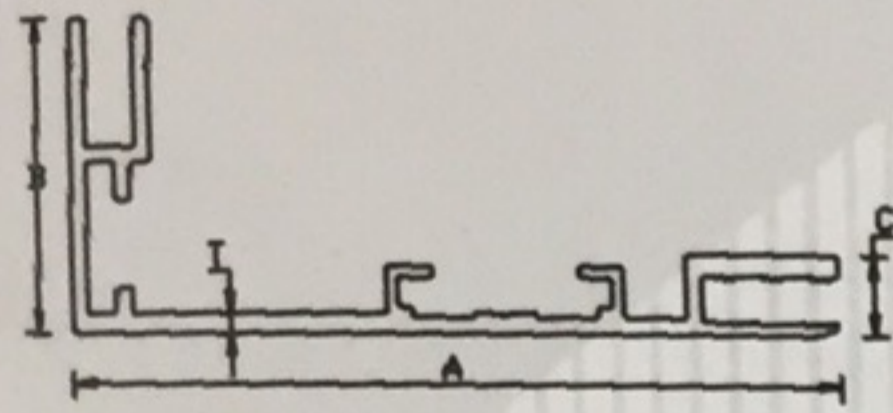
SE. No.	A	B	C	T	WT RANGE /12FT	
59423	66.00	70.80	36.80	2.20	3.700	4.000



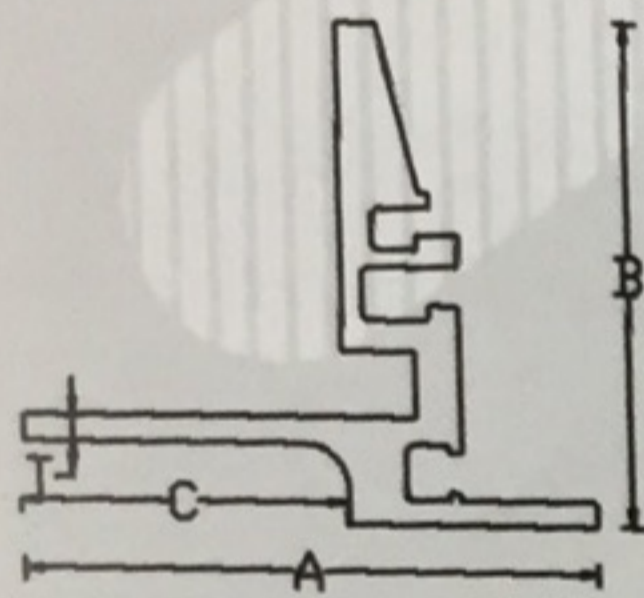
SE. No.	A	B	C	T	WT RANGE /12FT	
59424	50.00	50.00	42.30	1.50	2.250	2.500



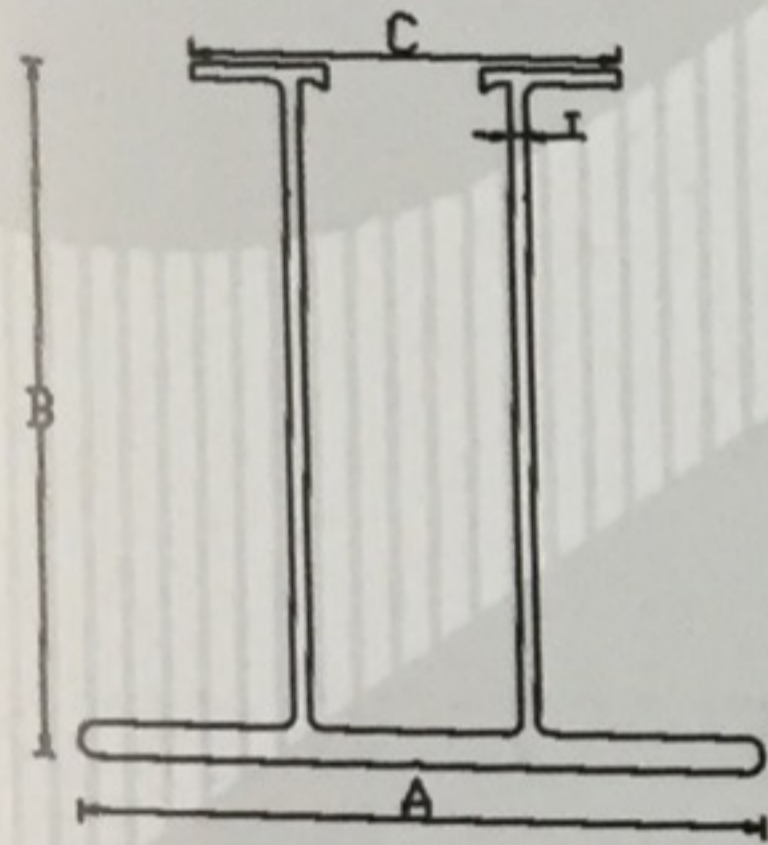
SE. No.	A	B	C	T	WT RANGE /12FT	
59425	65.00	12.00	8.00	5.00	4.000	4.400



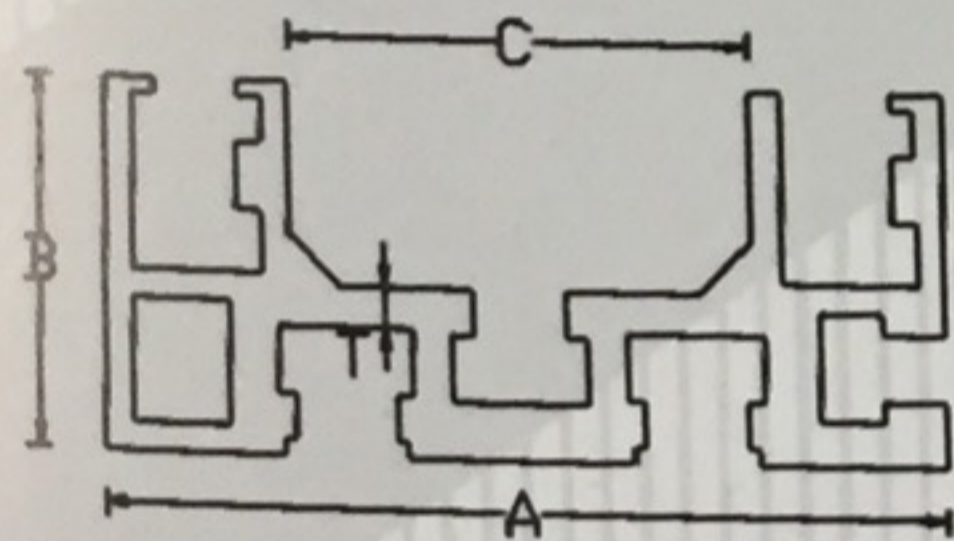
SE. No.	A	B	C	T	WT RANGE /12FT	
59426	75.00	30.00	7.50	1.90	2.500	2.800



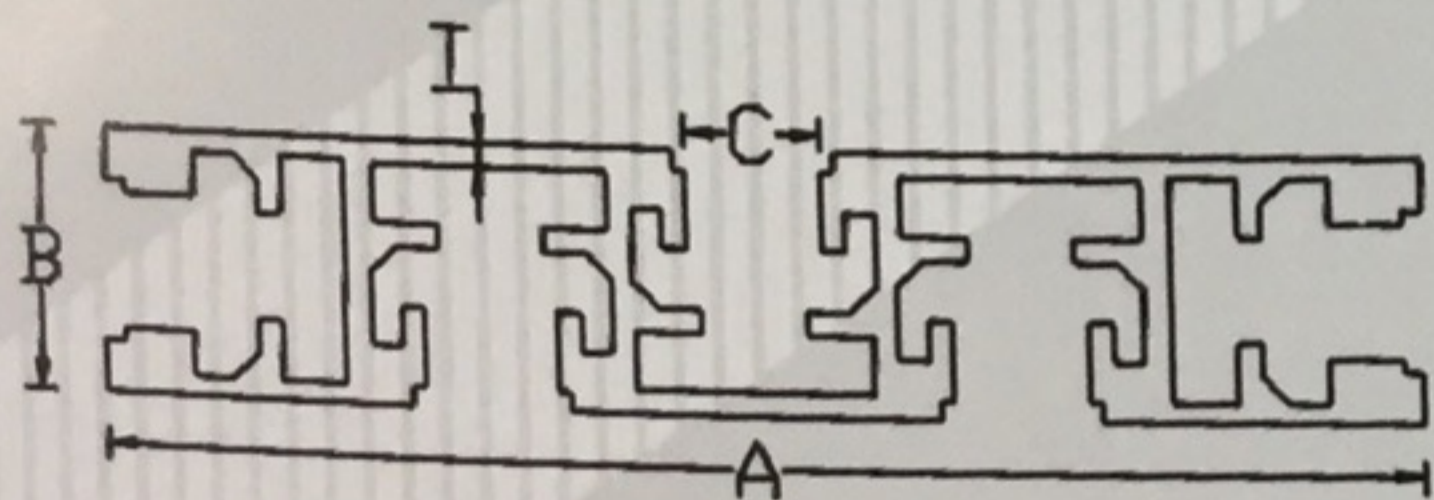
SE. No.	A	B	C	T	WT RANGE /12FT	
59427	66.50	56.50	38.00	3.00	5.800	6.300



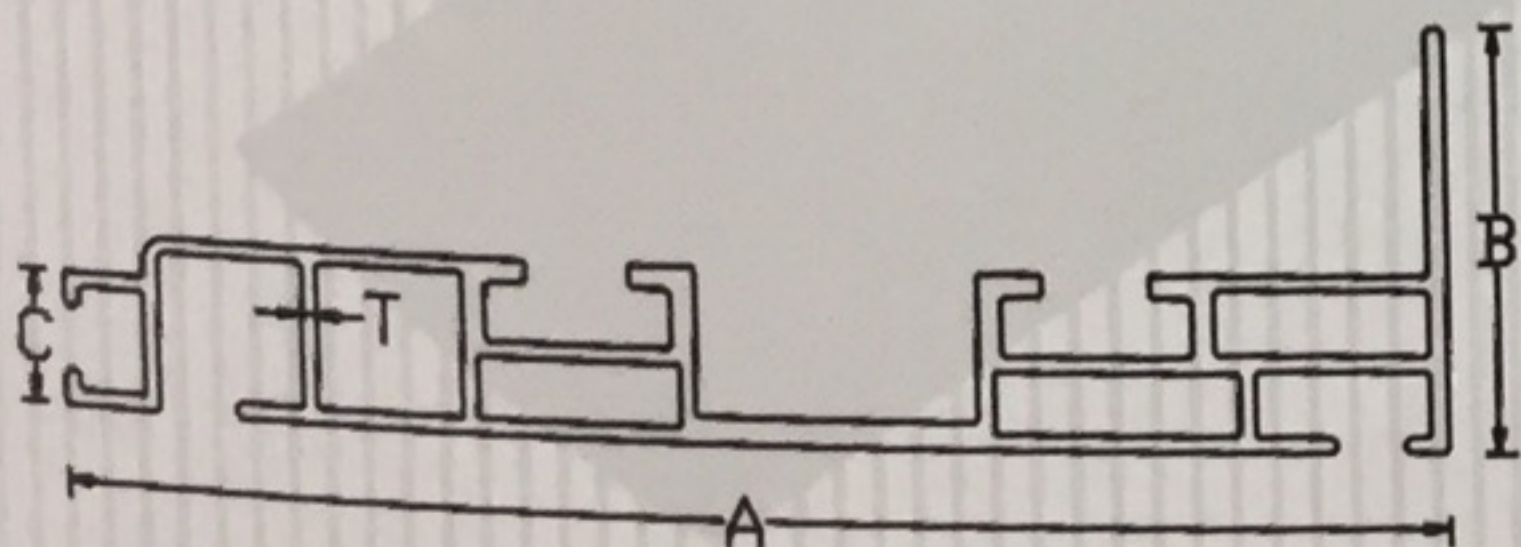
SE. No.	A	B	C	T	WT RANGE /12FT	
59428	80.00	80.20	50.00	1.90	6.500	7.100



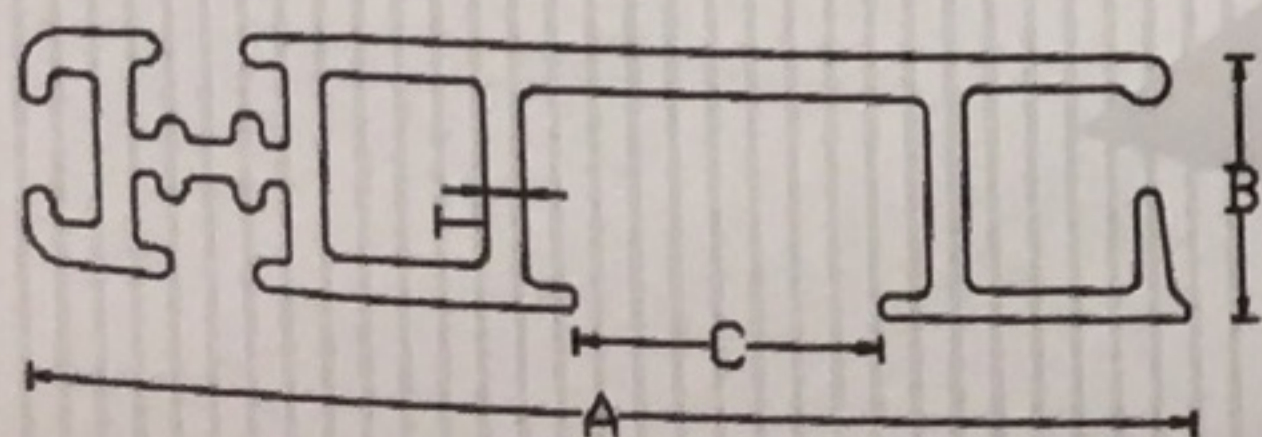
SE. No.	A	B	C	T	WT RANGE /12FT	
59429	82.50	36.00	45.00	4.00	10.100	11.200



SE. No.	A	B	C	T	WT RANGE /12FT	
59430	100.00	20.00	10.20	1.80	6.900	7.500



SE. No.	A	B	C	T	WT RANGE /12FT	
59431	120.00	36.50	15.00	1.30	5.000	5.500



SE. No.	A	B	C	T	WT RANGE /12FT	
59432	41.00	9.10	10.50	1.35	1.350	1.700